

RAHMENHALTER ÜBERSICHT

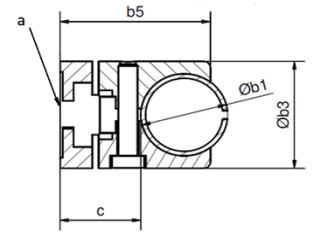
FRAME HOLDER OVERVIEW

Einzelteil Rahmenhalter für runde Profile

Standalone frameholders for round profiles

| Artikelnummer part number | a | b1 | b2 | b3 | b4 | b5 | c |
|------------------------------|--------|-------|----|-------|----|------|-------|
| CX3-40213 | für M8 | Ø21,3 | -- | Ø28,0 | -- | 41,0 | 25 ±2 |
| CX3-40269 | für M8 | Ø26,9 | -- | Ø35,0 | -- | 44,5 | 25 ±2 |

Material 1.4401 | Material AISI 316 - Oberfläche geschliffen K240 | surface polished K240



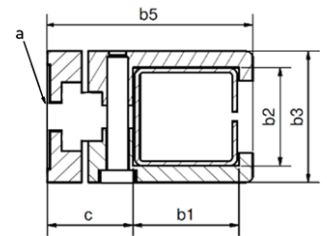
Einzelteil Rahmenhalter für quadratische Profile

Standalone frameholders for square profiles

| Artikelnummer part number | a | b1 | b2 | b3 | b4* | b5 | c |
|------------------------------|--------|------|------|------|------|------|-------|
| CX3-42020 | für M8 | 20,0 | 20,0 | 30,0 | 25,0 | 47,5 | 25 ±2 |
| CX3-43030 | für M8 | 30,0 | 30,0 | 40,0 | 30,0 | 58,0 | 25 ±2 |

Material 1.4401 | Material AISI 316 - Oberfläche geschliffen K240 | surface polished K240

*Höhe | hight



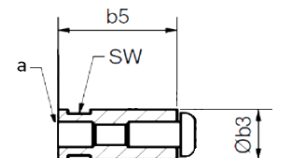
Einzelteil Rahmenhalter Innenmontage

Standalone Invisible Holders

| Artikelnummer part number | a | b3 | b5 | SW |
|------------------------------|----|-------|------|----|
| CX3-32027 | M6 | Ø12,0 | 27,0 | 10 |
| CX3-33040* | M8 | Ø15,0 | 40,0 | 13 |

Material 1.4401 | Material AISI 316 - Oberfläche geschliffen K240 | surface polished K240

*passend für XT3 und XT4 | suitable for XT3 and XT4



RAHMENHALTER ROHR-UMFASSEND

FRAME HOLDER TUBE-EMBRACING

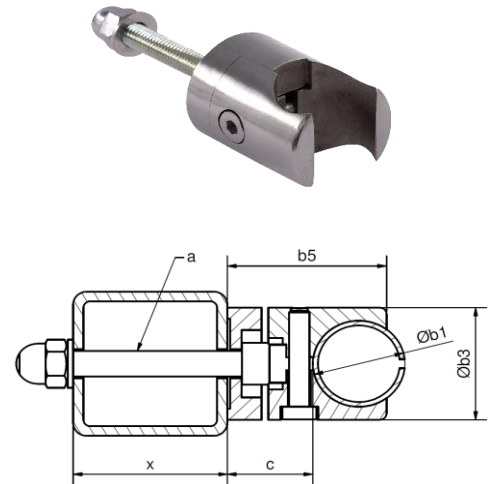
RAHMENHALTER RUNDROHR - ANBINDUNG AN FLACHES PROFIL

FRAME HOLDER ROUND PROFILE - CONNECTION TO FLAT PROFILE

Einzelanbindung | Single connection

| Artikelnummer <i>part number</i> | a | b1 | b2 | b3 | b4 | b5 | c | x |
|-------------------------------------|----|-------|----|-------|----|------|-------|---------|
| CX3-40213-EF5 | M8 | Ø21,3 | -- | Ø28,0 | -- | 41,0 | 25 ±2 | 4 - 8 |
| CX3-40213-EF10 | M8 | Ø21,3 | -- | Ø28,0 | -- | 41,0 | 25 ±2 | 9 - 13 |
| CX3-40213-EF15 | M8 | Ø21,3 | -- | Ø28,0 | -- | 41,0 | 25 ±2 | 14 - 18 |
| CX3-40213-EF20 | M8 | Ø21,3 | -- | Ø28,0 | -- | 41,0 | 25 ±2 | 19 - 23 |
| CX3-40213-EF25 | M8 | Ø21,3 | -- | Ø28,0 | -- | 41,0 | 25 ±2 | 24 - 28 |
| CX3-40213-EF30 | M8 | Ø21,3 | -- | Ø28,0 | -- | 41,0 | 25 ±2 | 29 - 33 |
| CX3-40213-EF35 | M8 | Ø21,3 | -- | Ø28,0 | -- | 41,0 | 25 ±2 | 34 - 38 |
| CX3-40213-EF40 | M8 | Ø21,3 | -- | Ø28,0 | -- | 41,0 | 25 ±2 | 39 - 43 |
| CX3-40213-EF45 | M8 | Ø21,3 | -- | Ø28,0 | -- | 41,0 | 25 ±2 | 44 - 48 |
| CX3-40213-EF50 | M8 | Ø21,3 | -- | Ø28,0 | -- | 41,0 | 25 ±2 | 49 - 53 |
| CX3-40269-EF5 | M8 | Ø26,9 | -- | Ø35,0 | -- | 44,5 | 25 ±2 | 4 - 8 |
| CX3-40269-EF10 | M8 | Ø26,9 | -- | Ø35,0 | -- | 44,5 | 25 ±2 | 9 - 13 |
| CX3-40269-EF15 | M8 | Ø26,9 | -- | Ø35,0 | -- | 44,5 | 25 ±2 | 14 - 18 |
| CX3-40269-EF20 | M8 | Ø26,9 | -- | Ø35,0 | -- | 44,5 | 25 ±2 | 19 - 23 |
| CX3-40269-EF25 | M8 | Ø26,9 | -- | Ø35,0 | -- | 44,5 | 25 ±2 | 24 - 28 |
| CX3-40269-EF30 | M8 | Ø26,9 | -- | Ø35,0 | -- | 44,5 | 25 ±2 | 29 - 33 |
| CX3-40269-EF35 | M8 | Ø26,9 | -- | Ø35,0 | -- | 44,5 | 25 ±2 | 34 - 38 |
| CX3-40269-EF40 | M8 | Ø26,9 | -- | Ø35,0 | -- | 44,5 | 25 ±2 | 39 - 43 |
| CX3-40269-EF45 | M8 | Ø26,9 | -- | Ø35,0 | -- | 44,5 | 25 ±2 | 44 - 48 |
| CX3-40269-EF50 | M8 | Ø26,9 | -- | Ø35,0 | -- | 44,5 | 25 ±2 | 49 - 53 |

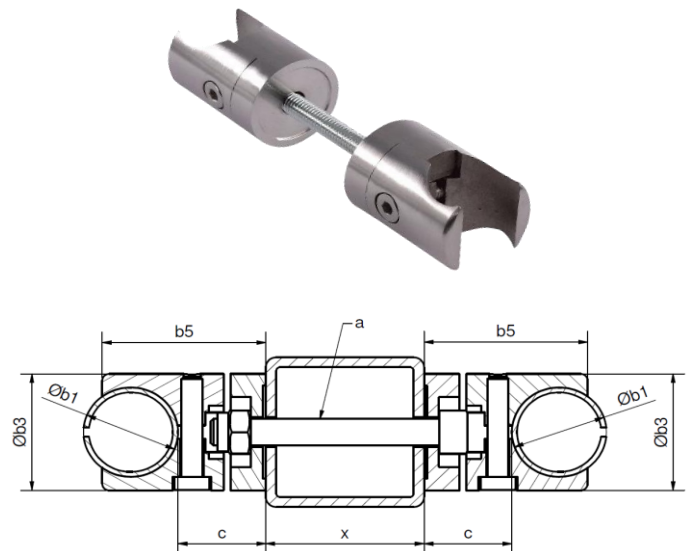
Material 1.4401 | *Material AISI 316* - Oberfläche geschliffen K240 | *surface polished K240*
 Set bestehend aus Rahmenhalter, Zylinderkopfschraube mit Innensechskant, Unterlegscheibe und Hutmutter
Set consisting of frame holder, socket head screw with hexagon socket, washer and dome nut



Doppelanbindung | Double connection

| Artikelnummer <i>part number</i> | a | b1 | b2 | b3 | b4 | b5 | c | x |
|-------------------------------------|----|-------|----|-------|----|------|-------|---------|
| CX3-40213-DF5 | M8 | Ø21,3 | -- | Ø28,0 | -- | 41,0 | 25 ±2 | 4 - 8 |
| CX3-40213-DF10 | M8 | Ø21,3 | -- | Ø28,0 | -- | 41,0 | 25 ±2 | 9 - 13 |
| CX3-40213-DF15 | M8 | Ø21,3 | -- | Ø28,0 | -- | 41,0 | 25 ±2 | 14 - 18 |
| CX3-40213-DF20 | M8 | Ø21,3 | -- | Ø28,0 | -- | 41,0 | 25 ±2 | 19 - 23 |
| CX3-40213-DF25 | M8 | Ø21,3 | -- | Ø28,0 | -- | 41,0 | 25 ±2 | 24 - 28 |
| CX3-40213-DF30 | M8 | Ø21,3 | -- | Ø28,0 | -- | 41,0 | 25 ±2 | 29 - 33 |
| CX3-40213-DF35 | M8 | Ø21,3 | -- | Ø28,0 | -- | 41,0 | 25 ±2 | 34 - 38 |
| CX3-40213-DF40 | M8 | Ø21,3 | -- | Ø28,0 | -- | 41,0 | 25 ±2 | 39 - 43 |
| CX3-40213-DF45 | M8 | Ø21,3 | -- | Ø28,0 | -- | 41,0 | 25 ±2 | 44 - 48 |
| CX3-40213-DF50 | M8 | Ø21,3 | -- | Ø28,0 | -- | 41,0 | 25 ±2 | 49 - 53 |
| CX3-40269-DF5 | M8 | Ø26,9 | -- | Ø35,0 | -- | 44,5 | 25 ±2 | 4 - 8 |
| CX3-40269-DF10 | M8 | Ø26,9 | -- | Ø35,0 | -- | 44,5 | 25 ±2 | 9 - 13 |
| CX3-40269-DF15 | M8 | Ø26,9 | -- | Ø35,0 | -- | 44,5 | 25 ±2 | 14 - 18 |
| CX3-40269-DF20 | M8 | Ø26,9 | -- | Ø35,0 | -- | 44,5 | 25 ±2 | 19 - 23 |
| CX3-40269-DF25 | M8 | Ø26,9 | -- | Ø35,0 | -- | 44,5 | 25 ±2 | 24 - 28 |
| CX3-40269-DF30 | M8 | Ø26,9 | -- | Ø35,0 | -- | 44,5 | 25 ±2 | 29 - 33 |
| CX3-40269-DF35 | M8 | Ø26,9 | -- | Ø35,0 | -- | 44,5 | 25 ±2 | 34 - 38 |
| CX3-40269-DF40 | M8 | Ø26,9 | -- | Ø35,0 | -- | 44,5 | 25 ±2 | 39 - 43 |
| CX3-40269-DF45 | M8 | Ø26,9 | -- | Ø35,0 | -- | 44,5 | 25 ±2 | 44 - 48 |
| CX3-40269-DF50 | M8 | Ø26,9 | -- | Ø35,0 | -- | 44,5 | 25 ±2 | 49 - 53 |

Material 1.4401 | *Material AISI 316* - Oberfläche geschliffen K240 | *surface polished K240*
 Set bestehend aus Rahmenhalter, Zylinderkopfschraube mit Innensechskant und Mutter
Set consisting of frame holders, socket head screw with hexagon socket and nut



RAHMENHALTER ROHR-UMFASSEND

FRAME HOLDER TUBE-EMBRACING

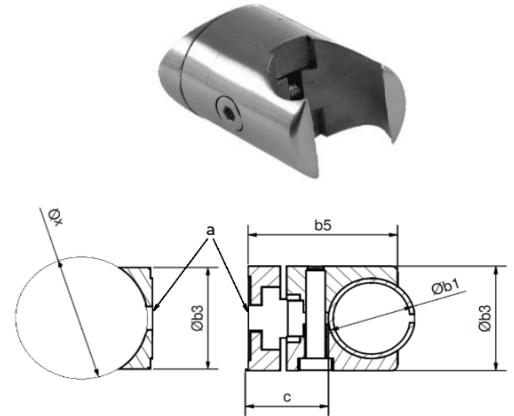
RAHMENHALTER RUNDROHR - ANBINDUNG AN RUNDES PROFIL

FRAME HOLDER ROUND PROFILE - CONNECTION TO ROUND PROFILE

Einzelteil | Standalone

| Artikelnummer <i>part number</i> | a | b1 | b2 | b3 | b4 | b5 | c | x |
|-------------------------------------|--------|-------|----|-------|----|------|-------|------|
| CX3-40213 & CX3-40213-337 | für M8 | Ø21,3 | -- | Ø28,0 | -- | 41,0 | 25 ±2 | 33,7 |
| CX3-40213 & CX3-40213-424 | für M8 | Ø21,3 | -- | Ø28,0 | -- | 41,0 | 25 ±2 | 42,4 |
| CX3-40269 & CX3-40269-424 | für M8 | Ø26,9 | -- | Ø35,0 | -- | 44,5 | 25 ±2 | 42,4 |

Material 1.4401 | *Material AISI 316* - Oberfläche geschliffen K240 | *surface polished K240*

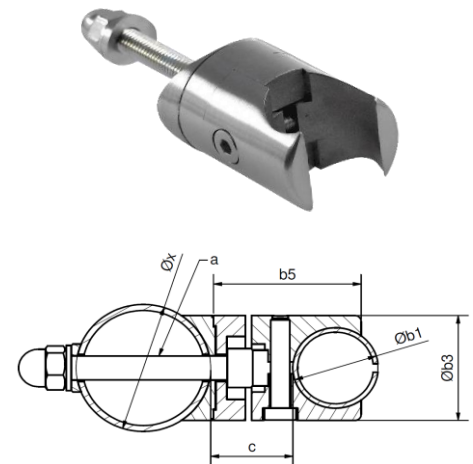


Einzelanbindung | Single connection

| Artikelnummer <i>part number</i> | a | b1 | b2 | b3 | b4 | b5 | c | x |
|-------------------------------------|----|-------|----|-------|----|------|-------|------|
| CX3-40213-ED337 | M8 | Ø21,3 | -- | Ø28,0 | -- | 41,0 | 25 ±2 | 33,7 |
| CX3-40213-ED424 | M8 | Ø21,3 | -- | Ø28,0 | -- | 41,0 | 25 ±2 | 42,4 |
| CX3-40269-ED424 | M8 | Ø26,9 | -- | Ø35,0 | -- | 44,5 | 25 ±2 | 42,4 |

Material 1.4401 | *Material AISI 316* - Oberfläche geschliffen K240 | *surface polished K240*

Set bestehend aus Rahmenhalter, Formanschlüsse, Zylinderkopfschraube mit Innensechskant, Unterlegscheibe und Hutmutter
Set consisting of frame holder, angle stand off washers, socket head screw with hexagon socket, washer and dome nut

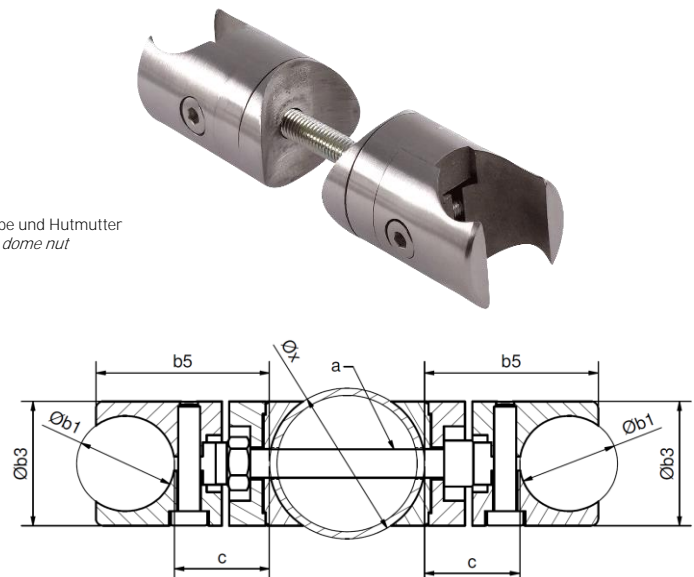


Doppelanbindung | Double connection

| Artikelnummer <i>part number</i> | a | b1 | b2 | b3 | b4 | b5 | c | x |
|-------------------------------------|----|-------|----|-------|----|------|-------|------|
| CX3-40213-DD337 | M8 | Ø21,3 | -- | Ø28,0 | -- | 41,0 | 25 ±2 | 33,7 |
| CX3-40213-DD424 | M8 | Ø21,3 | -- | Ø28,0 | -- | 41,0 | 25 ±2 | 42,4 |
| CX3-40269-DD424 | M8 | Ø26,9 | -- | Ø35,0 | -- | 44,5 | 25 ±2 | 42,4 |

Material 1.4401 | *Material AISI 316* - Oberfläche geschliffen K240 | *surface polished K240*

Set bestehend aus Rahmenhalter, Formanschlüsse, Zylinderkopfschraube mit Innensechskant, Unterlegscheibe und Hutmutter
Set consisting of frame holders, angle stand off washers, socket head screw with hexagon socket, washer and dome nut



RAHMENHALTER ROHR-UMFASSEND

FRAME HOLDER TUBE-EMBRACING

Carl Stahl
ARCHITEKTUR

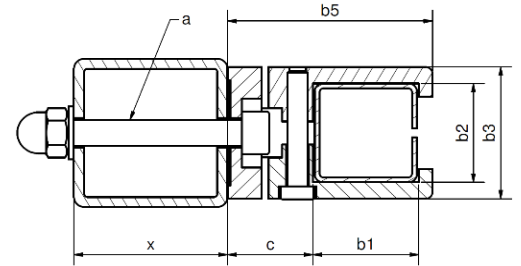
RAHMENHALTER RECHTECKROHR - ANBINDUNG AN FLACHES PROFIL

FRAME HOLDER RECTANGULAR PROFILE - CONNECTION TO FLAT PROFILE

Einzelanbindung | Single connection

| Artikelnummer <i>part number</i> | a | b1 | b2 | b3 | b4 | b5 | c | x |
|-------------------------------------|----|------|------|------|------|------|-------|---------|
| CX3-42020-EF5 | M8 | 20,0 | 20,0 | 25,0 | 30,0 | 47,5 | 25 ±2 | 4 - 8 |
| CX3-42020-EF10 | M8 | 20,0 | 20,0 | 25,0 | 30,0 | 47,5 | 25 ±2 | 9 - 13 |
| CX3-42020-EF15 | M8 | 20,0 | 20,0 | 25,0 | 30,0 | 47,5 | 25 ±2 | 14 - 18 |
| CX3-42020-EF20 | M8 | 20,0 | 20,0 | 25,0 | 30,0 | 47,5 | 25 ±2 | 19 - 23 |
| CX3-42020-EF25 | M8 | 20,0 | 20,0 | 25,0 | 30,0 | 47,5 | 25 ±2 | 24 - 28 |
| CX3-42020-EF30 | M8 | 20,0 | 20,0 | 25,0 | 30,0 | 47,5 | 25 ±2 | 29 - 33 |
| CX3-42020-EF35 | M8 | 20,0 | 20,0 | 25,0 | 30,0 | 47,5 | 25 ±2 | 34 - 38 |
| CX3-42020-EF40 | M8 | 20,0 | 20,0 | 25,0 | 30,0 | 47,5 | 25 ±2 | 39 - 43 |
| CX3-42020-EF45 | M8 | 20,0 | 20,0 | 25,0 | 30,0 | 47,5 | 25 ±2 | 44 - 48 |
| CX3-42020-EF50 | M8 | 20,0 | 20,0 | 25,0 | 30,0 | 47,5 | 25 ±2 | 49 - 53 |
| CX3-43030-EF5 | M8 | 30,0 | 30,0 | 30,0 | 40,0 | 58,0 | 25 ±2 | 4 - 8 |
| CX3-43030-EF10 | M8 | 30,0 | 30,0 | 30,0 | 40,0 | 58,0 | 25 ±2 | 9 - 13 |
| CX3-43030-EF15 | M8 | 30,0 | 30,0 | 30,0 | 40,0 | 58,0 | 25 ±2 | 14 - 18 |
| CX3-43030-EF20 | M8 | 30,0 | 30,0 | 30,0 | 40,0 | 58,0 | 25 ±2 | 19 - 23 |
| CX3-43030-EF25 | M8 | 30,0 | 30,0 | 30,0 | 40,0 | 58,0 | 25 ±2 | 24 - 28 |
| CX3-43030-EF30 | M8 | 30,0 | 30,0 | 30,0 | 40,0 | 58,0 | 25 ±2 | 29 - 33 |
| CX3-43030-EF35 | M8 | 30,0 | 30,0 | 30,0 | 40,0 | 58,0 | 25 ±2 | 34 - 38 |
| CX3-43030-EF40 | M8 | 30,0 | 30,0 | 30,0 | 40,0 | 58,0 | 25 ±2 | 39 - 43 |
| CX3-43030-EF45 | M8 | 30,0 | 30,0 | 30,0 | 40,0 | 58,0 | 25 ±2 | 44 - 48 |
| CX3-43030-EF50 | M8 | 30,0 | 30,0 | 30,0 | 40,0 | 58,0 | 25 ±2 | 49 - 53 |

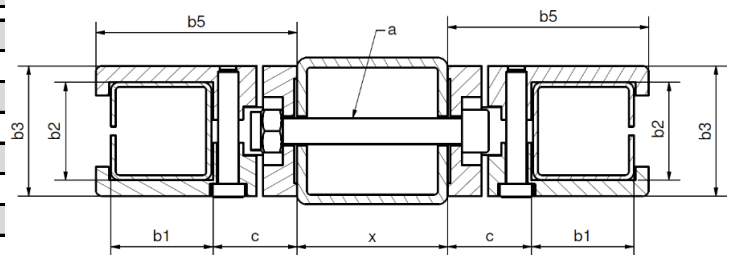
Material 1.4401 | *Material AISI 316* - Oberfläche geschliffen K240 | *surface polished K240*
 Set bestehend aus Rahmenhalter, Zylinderkopfschraube mit Innensechskant, Unterlegscheibe und Hutmutter
Set consisting of frame holder, socket head screw with hexagon socket, washer and dome nut



Doppelanbindung | Double connection

| Artikelnummer <i>part number</i> | a | b1 | b2 | b3 | b4 | b5 | c | x |
|-------------------------------------|----|------|------|------|------|------|-------|---------|
| CX3-42020-DF5 | M8 | 20,0 | 20,0 | 25,0 | 30,0 | 47,5 | 25 ±2 | 4 - 8 |
| CX3-42020-DF10 | M8 | 20,0 | 20,0 | 25,0 | 30,0 | 47,5 | 25 ±2 | 9 - 13 |
| CX3-42020-DF15 | M8 | 20,0 | 20,0 | 25,0 | 30,0 | 47,5 | 25 ±2 | 14 - 18 |
| CX3-42020-DF20 | M8 | 20,0 | 20,0 | 25,0 | 30,0 | 47,5 | 25 ±2 | 19 - 23 |
| CX3-42020-DF25 | M8 | 20,0 | 20,0 | 25,0 | 30,0 | 47,5 | 25 ±2 | 24 - 28 |
| CX3-42020-DF30 | M8 | 20,0 | 20,0 | 25,0 | 30,0 | 47,5 | 25 ±2 | 29 - 33 |
| CX3-42020-DF35 | M8 | 20,0 | 20,0 | 25,0 | 30,0 | 47,5 | 25 ±2 | 34 - 38 |
| CX3-42020-DF40 | M8 | 20,0 | 20,0 | 25,0 | 30,0 | 47,5 | 25 ±2 | 39 - 43 |
| CX3-42020-DF45 | M8 | 20,0 | 20,0 | 25,0 | 30,0 | 47,5 | 25 ±2 | 44 - 48 |
| CX3-42020-DF50 | M8 | 20,0 | 20,0 | 25,0 | 30,0 | 47,5 | 25 ±2 | 49 - 53 |
| CX3-43030-DF5 | M8 | 30,0 | 30,0 | 30,0 | 40,0 | 58,0 | 25 ±2 | 4 - 8 |
| CX3-43030-DF10 | M8 | 30,0 | 30,0 | 30,0 | 40,0 | 58,0 | 25 ±2 | 9 - 13 |
| CX3-43030-DF15 | M8 | 30,0 | 30,0 | 30,0 | 40,0 | 58,0 | 25 ±2 | 14 - 18 |
| CX3-43030-DF20 | M8 | 30,0 | 30,0 | 30,0 | 40,0 | 58,0 | 25 ±2 | 19 - 23 |
| CX3-43030-DF25 | M8 | 30,0 | 30,0 | 30,0 | 40,0 | 58,0 | 25 ±2 | 24 - 28 |
| CX3-43030-DF30 | M8 | 30,0 | 30,0 | 30,0 | 40,0 | 58,0 | 25 ±2 | 29 - 33 |
| CX3-43030-DF35 | M8 | 30,0 | 30,0 | 30,0 | 40,0 | 58,0 | 25 ±2 | 34 - 38 |
| CX3-43030-DF40 | M8 | 30,0 | 30,0 | 30,0 | 40,0 | 58,0 | 25 ±2 | 39 - 43 |
| CX3-43030-DF45 | M8 | 30,0 | 30,0 | 30,0 | 40,0 | 58,0 | 25 ±2 | 44 - 48 |
| CX3-43030-DF50 | M8 | 30,0 | 30,0 | 30,0 | 40,0 | 58,0 | 25 ±2 | 49 - 53 |

Material 1.4401 | *Material AISI 316* - Oberfläche geschliffen K240 | *surface polished K240*
 Set bestehend aus Rahmenhalter, Zylinderkopfschraube mit Innensechskant und Mutter
Set consisting of frame holders, socket head screw with hexagon socket and nut



RAHMENHALTER ROHR-UMFASSEND

FRAME HOLDER TUBE-EMBRACING

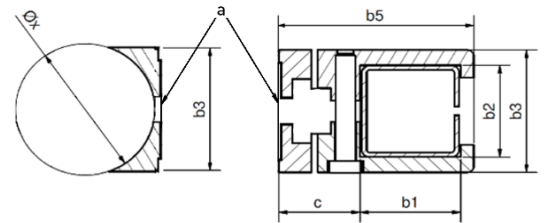
RAHMENHALTER RECHTECKROHR - ANBINDUNG AN RUNDES PROFIL

FRAME HOLDER RECTANGULAR PROFILE - CONNECTION TO ROUND PROFILE

Einzelteil | Standalone

| Artikelnummer <i>part number</i> | a | b1 | b2 | b3 | b4 | b5 | c | x |
|-------------------------------------|--------|------|------|------|------|------|-------|------|
| CX3-42020 & CX3-42020-337 | für M8 | 20,0 | 20,0 | 25,0 | 30,0 | 47,5 | 25 ±2 | 33,7 |
| CX3-42020 & CX3-42020-424 | für M8 | 20,0 | 20,0 | 25,0 | 30,0 | 47,5 | 25 ±2 | 42,4 |
| CX3-43030 & CX3-43030-424 | für M8 | 30,0 | 30,0 | 30,0 | 40,0 | 58,0 | 25 ±2 | 42,4 |

Material 1.4401 | *Material AISI 316* - Oberfläche geschliffen K240 | *surface polished K240*

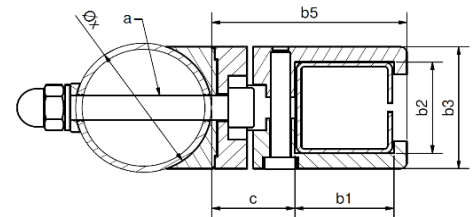


Einzelanbindung | Single connection

| Artikelnummer <i>part number</i> | a | b1 | b2 | b3 | b4 | b5 | c | x |
|-------------------------------------|----|------|------|------|------|------|-------|------|
| CX3-42020-ED337 | M8 | 20,0 | 20,0 | 25,0 | 30,0 | 47,5 | 25 ±2 | 33,7 |
| CX3-42020-ED424 | M8 | 20,0 | 20,0 | 25,0 | 30,0 | 47,5 | 25 ±2 | 42,4 |
| CX3-43030-ED424 | M8 | 30,0 | 30,0 | 30,0 | 40,0 | 58,0 | 25 ±2 | 42,4 |

Material 1.4401 | *Material AISI 316* - Oberfläche geschliffen K240 | *surface polished K240*

Set bestehend aus Rahmenhalter, Formanschlüsse, Zylinderkopfschraube mit Innensechskant, Unterlegscheibe und Hutmutter
Set consisting of frame holder, angle stand off washers, socket head screw with hexagon socket, washer and dome nut

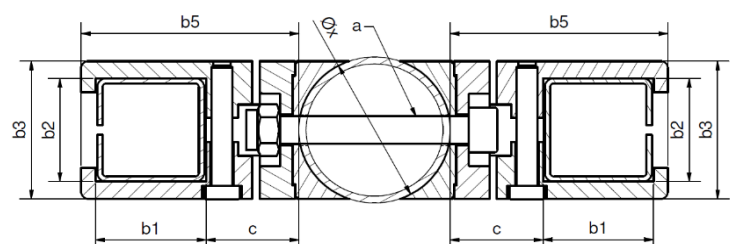


Doppelanbindung | Double connection

| Artikelnummer <i>part number</i> | a | b1 | b2 | b3 | b4 | b5 | c | x |
|-------------------------------------|----|------|------|------|------|------|-------|------|
| CX3-42020-DD337 | M8 | 20,0 | 20,0 | 25,0 | 30,0 | 47,5 | 25 ±2 | 33,7 |
| CX3-42020-DD424 | M8 | 20,0 | 20,0 | 25,0 | 30,0 | 47,5 | 25 ±2 | 42,4 |
| CX3-43030-DD424 | M8 | 30,0 | 30,0 | 30,0 | 40,0 | 58,0 | 25 ±2 | 42,4 |

Material 1.4401 | *Material AISI 316* - Oberfläche geschliffen K240 | *surface polished K240*

Set bestehend aus Rahmenhalter, Formanschlüsse, Zylinderkopfschraube mit Innensechskant, Unterlegscheibe und Hutmutter
Set consisting of frame holders, angle stand off washers, socket head screw with hexagon socket, washer and dome nut



RAHMENHALTER INNENMONTAGE XT3

FRAME HOLDER INVISIBLE XT3

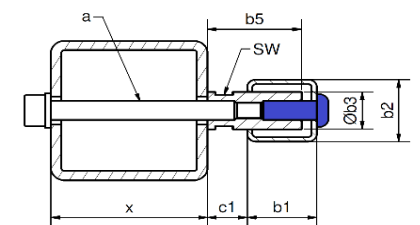
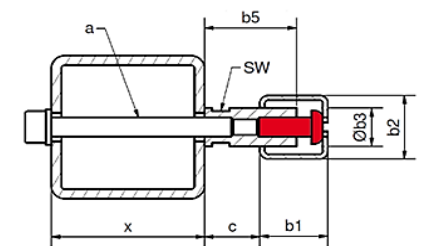
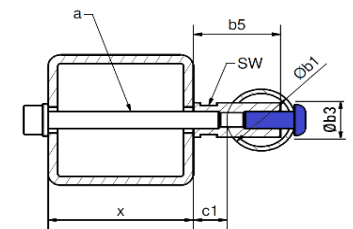
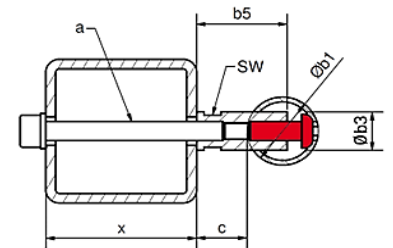
Carl Stahl
ARCHITEKTUR

EINSTECKKRAHMENHALTER - EINZELANBINDUNG AN FLACHES PROFIL

INVISIBLE HOLDER - SINGLE CONNECTION TO FLAT PROFILE

Einzelanbindung | Single connection

| Artikelnummer <i>part number</i> | a | b1 | b2 | b3 | b5 | c | c1 | x | SW |
|-------------------------------------|----|-----------------------------|----|-------|------|-------|-------|---------|----|
| CX3-32027-EF5 | M6 | $\frac{\text{Ø}21,3}{20,0}$ | -- | Ø12,0 | 27,0 | 16 ±4 | 13 ±4 | 3 - 7 | 10 |
| CX3-32027-EF10 | M6 | $\frac{\text{Ø}21,3}{20,0}$ | -- | Ø12,0 | 27,0 | 16 ±4 | 13 ±4 | 8 - 12 | 10 |
| CX3-32027-EF15 | M6 | $\frac{\text{Ø}21,3}{20,0}$ | -- | Ø12,0 | 27,0 | 16 ±4 | 13 ±4 | 13 - 17 | 10 |
| CX3-32027-EF20 | M6 | $\frac{\text{Ø}21,3}{20,0}$ | -- | Ø12,0 | 27,0 | 16 ±4 | 13 ±4 | 18 - 22 | 10 |
| CX3-32027-EF25 | M6 | $\frac{\text{Ø}21,3}{20,0}$ | -- | Ø12,0 | 27,0 | 16 ±4 | 13 ±4 | 23 - 27 | 10 |
| CX3-32027-EF30 | M6 | $\frac{\text{Ø}21,3}{20,0}$ | -- | Ø12,0 | 27,0 | 16 ±4 | 13 ±4 | 28 - 32 | 10 |
| CX3-32027-EF35 | M6 | $\frac{\text{Ø}21,3}{20,0}$ | -- | Ø12,0 | 27,0 | 16 ±4 | 13 ±4 | 33 - 37 | 10 |
| CX3-32027-EF40 | M6 | $\frac{\text{Ø}21,3}{20,0}$ | -- | Ø12,0 | 27,0 | 16 ±4 | 13 ±4 | 38 - 42 | 10 |
| CX3-32027-EF45 | M6 | $\frac{\text{Ø}21,3}{20,0}$ | -- | Ø12,0 | 27,0 | 16 ±4 | 13 ±4 | 43 - 47 | 10 |
| CX3-32027-EF50 | M6 | $\frac{\text{Ø}21,3}{20,0}$ | -- | Ø12,0 | 27,0 | 16 ±4 | 13 ±4 | 48 - 52 | 10 |
| CX3-33040-EF5 | M8 | $\frac{\text{Ø}26,9}{30,0}$ | -- | Ø15,0 | 40,0 | 26 ±9 | 22 ±9 | 3 - 7 | 13 |
| CX3-33040-EF10 | M8 | $\frac{\text{Ø}26,9}{30,0}$ | -- | Ø15,0 | 40,0 | 26 ±9 | 22 ±9 | 8 - 12 | 13 |
| CX3-33040-EF15 | M8 | $\frac{\text{Ø}26,9}{30,0}$ | -- | Ø15,0 | 40,0 | 26 ±9 | 22 ±9 | 13 - 17 | 13 |
| CX3-33040-EF20 | M8 | $\frac{\text{Ø}26,9}{30,0}$ | -- | Ø15,0 | 40,0 | 26 ±9 | 22 ±9 | 18 - 22 | 13 |
| CX3-33040-EF25 | M8 | $\frac{\text{Ø}26,9}{30,0}$ | -- | Ø15,0 | 40,0 | 26 ±9 | 22 ±9 | 23 - 27 | 13 |
| CX3-33040-EF30 | M8 | $\frac{\text{Ø}26,9}{30,0}$ | -- | Ø15,0 | 40,0 | 26 ±9 | 22 ±9 | 28 - 32 | 13 |
| CX3-33040-EF35 | M8 | $\frac{\text{Ø}26,9}{30,0}$ | -- | Ø15,0 | 40,0 | 26 ±9 | 22 ±9 | 33 - 37 | 13 |
| CX3-33040-EF40 | M8 | $\frac{\text{Ø}26,9}{30,0}$ | -- | Ø15,0 | 40,0 | 26 ±9 | 22 ±9 | 38 - 42 | 13 |
| CX3-33040-EF45 | M8 | $\frac{\text{Ø}26,9}{30,0}$ | -- | Ø15,0 | 40,0 | 26 ±9 | 22 ±9 | 43 - 47 | 13 |
| CX3-33040-EF50 | M8 | $\frac{\text{Ø}26,9}{30,0}$ | -- | Ø15,0 | 40,0 | 26 ±9 | 22 ±9 | 48 - 52 | 13 |



Material 1.4401 | *Material AISI 316* - Oberfläche geschliffen K240 | *surface polished K240*

Set bestehend aus Rahmenhalter (passend für runde und rechteckige Profile), Zylinderkopfschraube mit Innensechskant und Unterlegscheibe
 Set consisting of frame holder (suitable for round and rectangular frame profile dimensions), socket head screw with hexagon socket and washer

Montageunterschiede siehe Seite 18
 /differences in assembly also see page 18

RAHMENHALTER INNENMONTAGE XT3

Carl Stahl

FRAME HOLDER INVISIBLE XT3

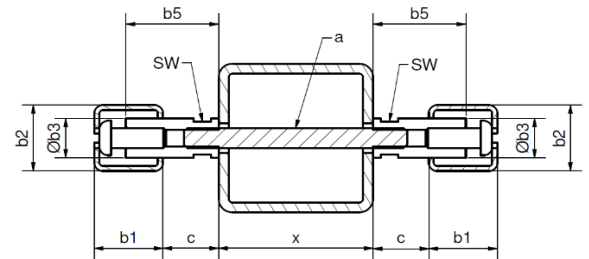
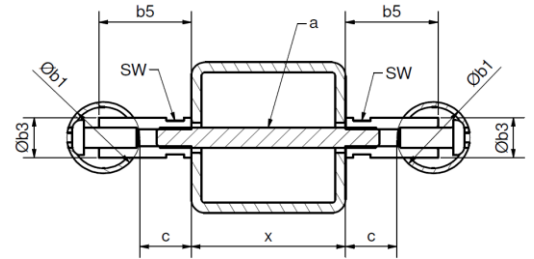
ARCHITEKTUR

EINSTECKKRAHMENHALTER - DOPPELANBINDUNG AN FLACHES PROFIL

INVISIBLE HOLDER - DOUBLE CONNECTION TO FLAT PROFILE

Doppelanbindung | Double connection

| Artikelnummer <i>part number</i> | a | b1 | b2 | b3 | b5 | c | c1 | x | SW |
|-------------------------------------|----|-----------------------------|------------|-------|------|-------|-------|---------|----|
| CX3-32027-DF5 | M6 | $\frac{\text{Ø}21,3}{20,0}$ | -- 20,0 | Ø12,0 | 27,0 | 16 ±4 | 13 ±4 | 5 - 9 | 10 |
| CX3-32027-DF10 | M6 | $\frac{\text{Ø}21,3}{20,0}$ | -- 20,0 | Ø12,0 | 27,0 | 16 ±4 | 13 ±4 | 10 - 14 | 10 |
| CX3-32027-DF15 | M6 | $\frac{\text{Ø}21,3}{20,0}$ | -- 20,0 | Ø12,0 | 27,0 | 16 ±4 | 13 ±4 | 15 - 19 | 10 |
| CX3-32027-DF20 | M6 | $\frac{\text{Ø}21,3}{20,0}$ | -- 20,0 | Ø12,0 | 27,0 | 16 ±4 | 13 ±4 | 20 - 24 | 10 |
| CX3-32027-DF25 | M6 | $\frac{\text{Ø}21,3}{20,0}$ | -- 20,0 | Ø12,0 | 27,0 | 16 ±4 | 13 ±4 | 25 - 29 | 10 |
| CX3-32027-DF30 | M6 | $\frac{\text{Ø}21,3}{20,0}$ | -- 20,0 | Ø12,0 | 27,0 | 16 ±4 | 13 ±4 | 30 - 34 | 10 |
| CX3-32027-DF35 | M6 | $\frac{\text{Ø}21,3}{20,0}$ | -- 20,0 | Ø12,0 | 27,0 | 16 ±4 | 13 ±4 | 35 - 39 | 10 |
| CX3-32027-DF40 | M6 | $\frac{\text{Ø}21,3}{20,0}$ | -- 20,0 | Ø12,0 | 27,0 | 16 ±4 | 13 ±4 | 40 - 44 | 10 |
| CX3-32027-DF45 | M6 | $\frac{\text{Ø}21,3}{20,0}$ | -- 20,0 | Ø12,0 | 27,0 | 16 ±4 | 13 ±4 | 45 - 49 | 10 |
| CX3-32027-DF50 | M6 | $\frac{\text{Ø}21,3}{20,0}$ | -- 20,0 | Ø12,0 | 27,0 | 16 ±4 | 13 ±4 | 50 - 54 | 10 |
| CX3-33040-DF5 | M8 | $\frac{\text{Ø}26,9}{30,0}$ | -- 30,0 | Ø15,0 | 40,0 | 26 ±9 | 22 ±9 | 5 - 9 | 13 |
| CX3-33040-DF10 | M8 | $\frac{\text{Ø}26,9}{30,0}$ | -- 30,0 | Ø15,0 | 40,0 | 26 ±9 | 22 ±9 | 10 - 14 | 13 |
| CX3-33040-DF15 | M8 | $\frac{\text{Ø}26,9}{30,0}$ | -- 30,0 | Ø15,0 | 40,0 | 26 ±9 | 22 ±9 | 15 - 19 | 13 |
| CX3-33040-DF20 | M8 | $\frac{\text{Ø}26,9}{30,0}$ | -- 30,0 | Ø15,0 | 40,0 | 26 ±9 | 22 ±9 | 20 - 24 | 13 |
| CX3-33040-DF25 | M8 | $\frac{\text{Ø}26,9}{30,0}$ | -- 30,0 | Ø15,0 | 40,0 | 26 ±9 | 22 ±9 | 25 - 29 | 13 |
| CX3-33040-DF30 | M8 | $\frac{\text{Ø}26,9}{30,0}$ | -- 30,0 | Ø15,0 | 40,0 | 26 ±9 | 22 ±9 | 30 - 34 | 13 |
| CX3-33040-DF35 | M8 | $\frac{\text{Ø}26,9}{30,0}$ | -- 30,0 | Ø15,0 | 40,0 | 26 ±9 | 22 ±9 | 35 - 39 | 13 |
| CX3-33040-DF40 | M8 | $\frac{\text{Ø}26,9}{30,0}$ | -- 30,0 | Ø15,0 | 40,0 | 26 ±9 | 22 ±9 | 40 - 44 | 13 |
| CX3-33040-DF45 | M8 | $\frac{\text{Ø}26,9}{30,0}$ | -- 30,0 | Ø15,0 | 40,0 | 26 ±9 | 22 ±9 | 45 - 49 | 13 |
| CX3-33040-DF50 | M8 | $\frac{\text{Ø}26,9}{30,0}$ | -- 30,0 | Ø15,0 | 40,0 | 26 ±9 | 22 ±9 | 50 - 54 | 13 |



Material 1.4401 | *Material AISI 316* - Oberfläche geschliffen K240 | *surface polished K240*

Set bestehend aus Rahmenhalter (passend für runde und rechteckige Profile) und Gewindestift mit Innensechskant

Set consisting of frame holders (suitable for round and rectangular frame profile dimensions) and threaded rod with hexagon socket

RAHMENHALTER INNENMONTAGE XT3

FRAME HOLDER INVISIBLE XT3

Carl Stahl
ARCHITEKTUR

EINSTECKRAHMENHALTER - ANBINDUNG AN RUNDES PROFIL

INVISIBLE HOLDER - CONNECTION TO ROUND PROFILE

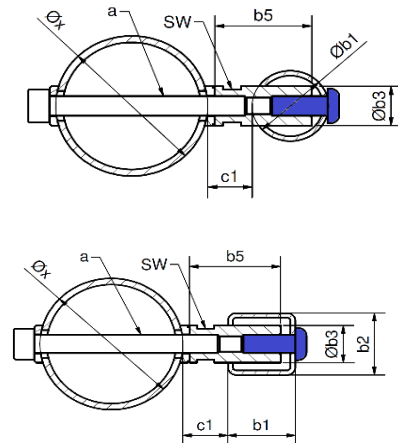
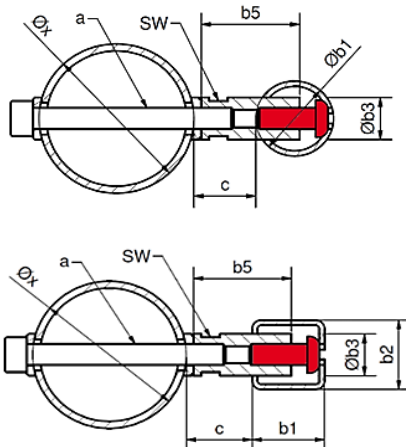
Einzelanbindung | Single connection

| Artikelnummer part number | a | b1 | b2 | b3 | b5 | c | c1 | x | SW |
|------------------------------|----|-----------------------------|-------------------|-------|------|-------|-------|------|----|
| CX3-32027-ED337 | M6 | $\frac{\text{Ø}21,3}{20,0}$ | $\frac{--}{20,0}$ | Ø12,0 | 27,0 | 18 ±4 | 15 ±4 | 33,7 | 10 |
| CX3-32027-ED424 | M6 | $\frac{\text{Ø}21,3}{20,0}$ | $\frac{--}{20,0}$ | Ø12,0 | 27,0 | 18 ±4 | 15 ±4 | 42,4 | 10 |
| CX3-33040-ED337 | M8 | $\frac{\text{Ø}26,9}{30,0}$ | $\frac{--}{30,0}$ | Ø15,0 | 40,0 | 28 ±9 | 24 ±9 | 33,7 | 13 |
| CX3-33040-ED424 | M8 | $\frac{\text{Ø}26,9}{30,0}$ | $\frac{--}{30,0}$ | Ø15,0 | 40,0 | 28 ±9 | 24 ±9 | 42,4 | 13 |

Material 1.4401 | Material AISI 316 - Oberfläche geschliffen K240 | surface polished K240

Set bestehend aus Rahmenhalter (passend für runde und rechteckige Profile), Formanschlüsse und Zylinderkopfschraube mit Innensechskant

Set consisting of frame holder (suitable for round and rectangular frame profile dimensions), angle stand off washers, socket head screw with hexagon socket and washer



Montageunterschiede siehe Seite 18 / differences in assembly also see page 18

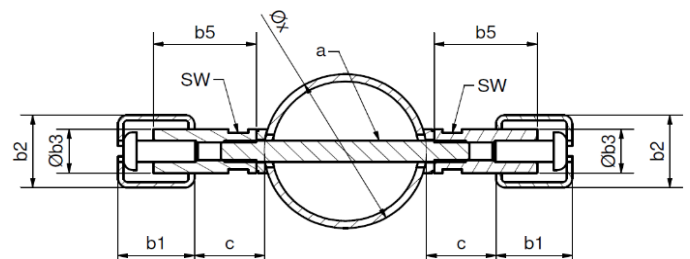
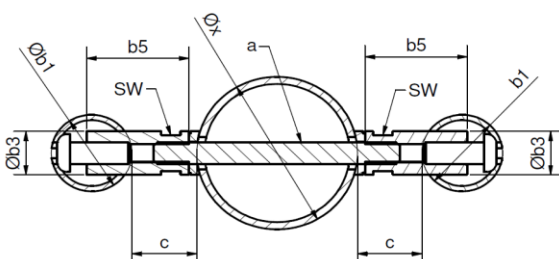
Doppelanbindung | Double connection

| Artikelnummer part number | a | b1 | b2 | b3 | b5 | c | c1 | x | SW |
|------------------------------|----|-----------------------------|-------------------|-------|------|-------|-------|------|----|
| CX3-32027-DD337 | M6 | $\frac{\text{Ø}21,3}{20,0}$ | $\frac{--}{20,0}$ | Ø12,0 | 27,0 | 18 ±4 | 15 ±4 | 33,7 | 10 |
| CX3-32027-DD424 | M6 | $\frac{\text{Ø}21,3}{20,0}$ | $\frac{--}{20,0}$ | Ø12,0 | 27,0 | 18 ±4 | 15 ±4 | 42,4 | 10 |
| CX3-33040-DD337 | M8 | $\frac{\text{Ø}26,9}{30,0}$ | $\frac{--}{30,0}$ | Ø15,0 | 40,0 | 28 ±9 | 24 ±9 | 33,7 | 13 |
| CX3-33040-DD424 | M8 | $\frac{\text{Ø}26,9}{30,0}$ | $\frac{--}{30,0}$ | Ø15,0 | 40,0 | 28 ±9 | 24 ±9 | 42,4 | 13 |

Material 1.4401 | Material AISI 316 - Oberfläche geschliffen K240 | surface polished K240

Set bestehend aus Rahmenhalter (passend für runde und rechteckige Profile), Formanschlüsse und Gewindestift mit Innensechskant

Set consisting of frame holders (suitable for round and rectangular frame profile dimensions), angle stand off washers and threaded rod



RAHMENHALTER U-BÜGEL

FRAME HOLDER U-BRACKET

RAHMENHALTER XT2 SET1

FRAME HOLDER XT2 SET 1

| Artikelnummer <i>part number</i> | Set bestehend aus Einzelteilen <i>Set consisting of parts</i> | Material <i>material</i> |
|-------------------------------------|--|-----------------------------|
| CX001001 | 1 - 7 | 1.4401 / AISI316 |

RAHMENHALTER XT2 SET2

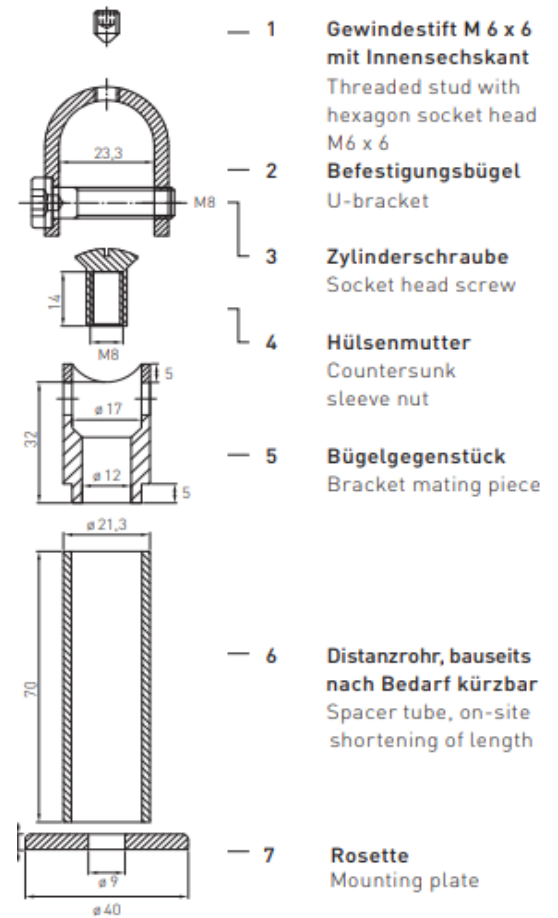
FRAME HOLDER XT2 SET 2

| Artikelnummer <i>part number</i> | Set bestehend aus Einzelteilen <i>Set consisting of parts</i> | Material <i>material</i> |
|-------------------------------------|--|-----------------------------|
| CX001002 | 1 - 5 | 1.4401 / AISI316 |

RAHMENHALTER XT2 SET 3

FRAME HOLDER XT2 SET 3

| Artikelnummer <i>part number</i> | Set bestehend aus Einzelteilen <i>Set consisting of parts</i> | Material <i>material</i> |
|-------------------------------------|--|-----------------------------|
| CX001003 | 1 - 3 | 1.4401 / AISI316 |



CX001001



CX001002

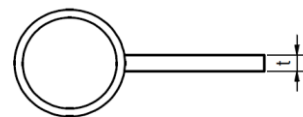
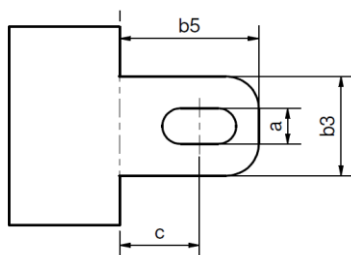
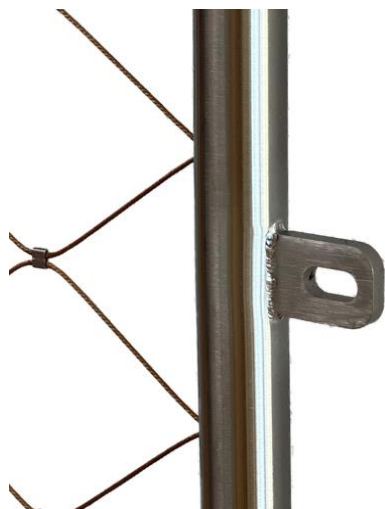


CX001003

SONDERBEFESTIGUNGEN XT2/XT3

SPECIAL FIXATIONSXT2/XT3

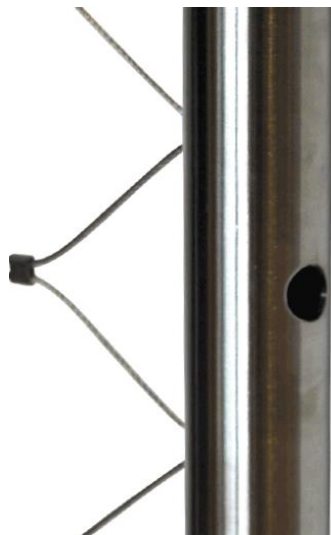
ANSCHWEISLASCHE WELDED TONGUES



| Artikelnummer part number | a | b3 | b5 | c | t |
|------------------------------|--------|------|------|----|-----|
| CX3-80601 | für M8 | 25,0 | 34,5 | 20 | 6,0 |

Material 1.4401 | Material AISI 316 - Oberfläche geschliffen K240 | surface polished K240

BOHRUNGEN BOREHOLES



| | |
|---|------------|
| Bohrungen, gefast Boreholes, chamfered | Ø6 - 20 mm |
|---|------------|

FLIESSGEWINDE FLOW DRILL THREADS



| | |
|------------------------------------|----------|
| Fließgewinde Flow drill threads | M6 - M10 |
|------------------------------------|----------|

Da individuell wählbar, bei Bedarf im Einzelfall nachzuweisen | As individually selectable, to be statically clarified for the individual case, if necessary

RAHMENHALTER INNENMONTAGE XT4

FRAME HOLDER INVISIBLE XT4

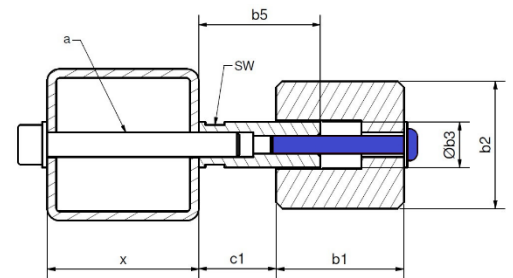
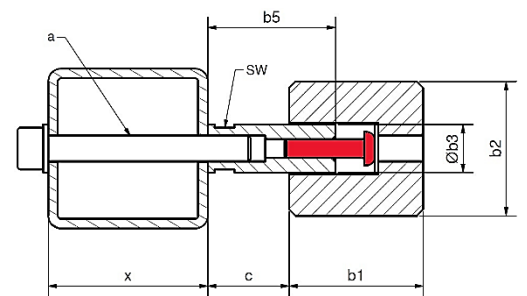
Carl Stahl
ARCHITEKTUR

EINSTECKKRAHMENHALTER - EINZELANBINDUNG AN FLACHES PROFIL

INVISIBLE HOLDER - SINGLE CONNECTION TO FLAT PROFILE

Einzelanbindung | Single connection

| Artikelnummer <i>part number</i> | a | b1 | b2 | b3 | b5 | c | c1 | x | SW |
|-------------------------------------|----|----|----|-------|------|-------|-------|---------|----|
| CX4-33040-EF5 | M8 | 42 | 42 | Ø15,0 | 40,0 | 25 ±9 | -- | 3 - 7 | 13 |
| CX4-33040-EF10 | M8 | 42 | 42 | Ø15,0 | 40,0 | 25 ±9 | -- | 8 - 12 | 13 |
| CX4-33040-EF15 | M8 | 42 | 42 | Ø15,0 | 40,0 | 25 ±9 | -- | 13 - 17 | 13 |
| CX4-33040-EF20 | M8 | 42 | 42 | Ø15,0 | 40,0 | 25 ±9 | -- | 18 - 22 | 13 |
| CX4-33040-EF25 | M8 | 42 | 42 | Ø15,0 | 40,0 | 25 ±9 | -- | 23 - 27 | 13 |
| CX4-33040-EF30 | M8 | 42 | 42 | Ø15,0 | 40,0 | 25 ±9 | -- | 28 - 32 | 13 |
| CX4-33040-EF35 | M8 | 42 | 42 | Ø15,0 | 40,0 | 25 ±9 | -- | 33 - 37 | 13 |
| CX4-33040-EF40 | M8 | 42 | 42 | Ø15,0 | 40,0 | 25 ±9 | -- | 38 - 42 | 13 |
| CX4-33040-EF45 | M8 | 42 | 42 | Ø15,0 | 40,0 | 25 ±9 | -- | 43 - 47 | 13 |
| CX4-33040-EF50 | M8 | 42 | 42 | Ø15,0 | 40,0 | 25 ±9 | -- | 48 - 52 | 13 |
| CX4-33040-EFZ5 | M8 | 42 | 42 | Ø15,0 | 40,0 | -- | 25 ±9 | 3 - 7 | 13 |
| CX4-33040-EFZ10 | M8 | 42 | 42 | Ø15,0 | 40,0 | -- | 25 ±9 | 8 - 12 | 13 |
| CX4-33040-EFZ15 | M8 | 42 | 42 | Ø15,0 | 40,0 | -- | 25 ±9 | 13 - 17 | 13 |
| CX4-33040-EFZ20 | M8 | 42 | 42 | Ø15,0 | 40,0 | -- | 25 ±9 | 18 - 22 | 13 |
| CX4-33040-EFZ25 | M8 | 42 | 42 | Ø15,0 | 40,0 | -- | 25 ±9 | 23 - 27 | 13 |
| CX4-33040-EFZ30 | M8 | 42 | 42 | Ø15,0 | 40,0 | -- | 25 ±9 | 28 - 32 | 13 |
| CX4-33040-EFZ35 | M8 | 42 | 42 | Ø15,0 | 40,0 | -- | 25 ±9 | 33 - 37 | 13 |
| CX4-33040-EFZ40 | M8 | 42 | 42 | Ø15,0 | 40,0 | -- | 25 ±9 | 38 - 42 | 13 |
| CX4-33040-EFZ45 | M8 | 42 | 42 | Ø15,0 | 40,0 | -- | 25 ±9 | 43 - 47 | 13 |
| CX4-33040-EFZ50 | M8 | 42 | 42 | Ø15,0 | 40,0 | -- | 25 ±9 | 48 - 52 | 13 |



Montageunterschiede siehe Seite 18
/differences in assembly also see page 18

Material 1.4401 | *Material AISI 316* - Oberfläche geschliffen K240 | *surface polished K240*
Set bestehend aus Rahmenhalter, Zylinderkopfschraube mit Innensechskant und Unterlegscheiben
Set consisting of frame holder, socket head screw with hexagon socket and washers

RAHMENHALTER INNENMONTAGE XT4

FRAME HOLDER INVISIBLE XT4

Carl Stahl
ARCHITEKTUR

EINSTECKKRAHMENHALTER - DOPPELANBINDUNG AN FLACHES PROFIL

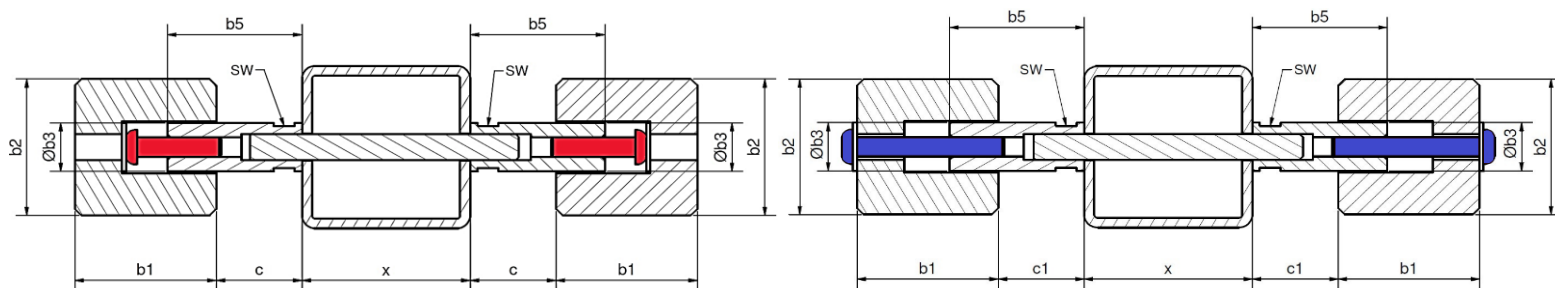
INVISIBLE HOLDER - DOUBLE CONNECTION TO FLAT PROFILE

Doppelanbindung | Double connection

| Artikelnummer part number | a | b1 | b2 | b3 | b5 | c | c1 | x | SW |
|------------------------------|----|----|----|-------|------|-------|-------|---------|----|
| CX4-33040-DF5 | M8 | 42 | 42 | Ø15,0 | 40,0 | 25 ±9 | -- | 3 - 7 | 13 |
| CX4-33040-DF10 | M8 | 42 | 42 | Ø15,0 | 40,0 | 25 ±9 | -- | 8 - 12 | 13 |
| CX4-33040-DF15 | M8 | 42 | 42 | Ø15,0 | 40,0 | 25 ±9 | -- | 13 - 17 | 13 |
| CX4-33040-DF20 | M8 | 42 | 42 | Ø15,0 | 40,0 | 25 ±9 | -- | 18 - 22 | 13 |
| CX4-33040-DF25 | M8 | 42 | 42 | Ø15,0 | 40,0 | 25 ±9 | -- | 23 - 27 | 13 |
| CX4-33040-DF30 | M8 | 42 | 42 | Ø15,0 | 40,0 | 25 ±9 | -- | 28 - 32 | 13 |
| CX4-33040-DF35 | M8 | 42 | 42 | Ø15,0 | 40,0 | 25 ±9 | -- | 33 - 37 | 13 |
| CX4-33040-DF40 | M8 | 42 | 42 | Ø15,0 | 40,0 | 25 ±9 | -- | 38 - 42 | 13 |
| CX4-33040-DF45 | M8 | 42 | 42 | Ø15,0 | 40,0 | 25 ±9 | -- | 43 - 47 | 13 |
| CX4-33040-DF50 | M8 | 42 | 42 | Ø15,0 | 40,0 | 25 ±9 | -- | 48 - 52 | 13 |
| CX4-33040-DFZ5 | M8 | 42 | 42 | Ø15,0 | 40,0 | -- | 25 ±9 | 3 - 7 | 13 |
| CX4-33040-DFZ10 | M8 | 42 | 42 | Ø15,0 | 40,0 | -- | 25 ±9 | 8 - 12 | 13 |
| CX4-33040-DFZ15 | M8 | 42 | 42 | Ø15,0 | 40,0 | -- | 25 ±9 | 13 - 17 | 13 |
| CX4-33040-DFZ20 | M8 | 42 | 42 | Ø15,0 | 40,0 | -- | 25 ±9 | 18 - 22 | 13 |
| CX4-33040-DFZ25 | M8 | 42 | 42 | Ø15,0 | 40,0 | -- | 25 ±9 | 23 - 27 | 13 |
| CX4-33040-DFZ30 | M8 | 42 | 42 | Ø15,0 | 40,0 | -- | 25 ±9 | 28 - 32 | 13 |
| CX4-33040-DFZ35 | M8 | 42 | 42 | Ø15,0 | 40,0 | -- | 25 ±9 | 33 - 37 | 13 |
| CX4-33040-DFZ40 | M8 | 42 | 42 | Ø15,0 | 40,0 | -- | 25 ±9 | 38 - 42 | 13 |
| CX4-33040-DFZ45 | M8 | 42 | 42 | Ø15,0 | 40,0 | -- | 25 ±9 | 43 - 47 | 13 |
| CX4-33040-DFZ50 | M8 | 42 | 42 | Ø15,0 | 40,0 | -- | 25 ±9 | 48 - 52 | 13 |



Material 1.4401 | Material AISI 316 - Oberfläche geschliffen K240 | surface polished K240
Set bestehend aus Rahmenhalter, Gewindestift mit Innensechskant und U-Scheiben
Set consisting of frame holders, threaded rod with hexagon socket and U-washers

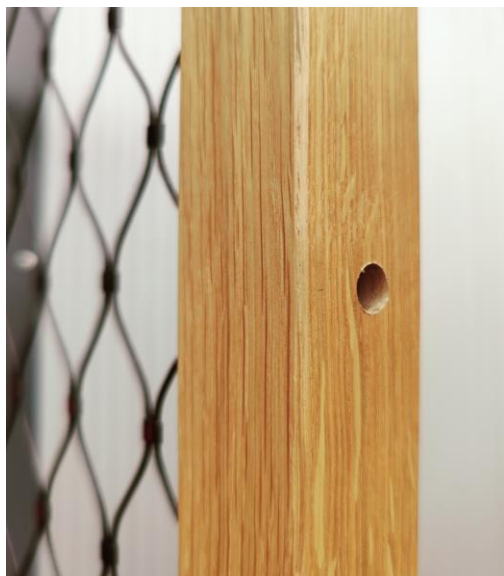


Montageunterschiede siehe Seite 18 / differences in assembly also see page 18

SONDERBEFESTIGUNGEN XT4

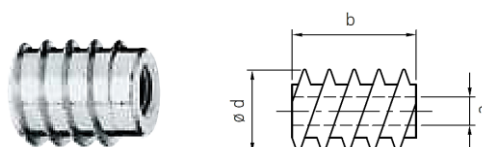
SPECIAL FIXATIONS XT4

BOHRUNGEN BOREHOLES



| | |
|-------------------------------|------------|
| Bohrungen <i>Boreholes</i> | Ø8 - 11 mm |
|-------------------------------|------------|

GEWINDE-EINSCHRAUBMUFFEN THREADED SCREW-IN-SLEEVES



| Artikelnummer <i>part number</i> | a | b | Ød |
|-------------------------------------|----|----|----|
| 803-0800-04 | M8 | 18 | 16 |

Gewinde-Einschraubmuffen lose beigelegt | *Threaded screw-in sleeves enclosed loose*

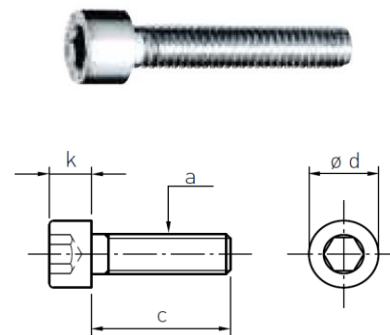
Da individuell wählbar, bei Bedarf im Einzelfall nachzuweisen | *As individually selectable, to be statically clarified for the individual case, if necessary*

ZYLINDERKOPFSCHRAUBE DIN 912

CYLINDER HEAD SCREW DIN 912

| Artikelnummer <i>part number</i> | a | c | Ød | k | SW |
|-------------------------------------|----|----|----|---|----|
| CX3-56016 | M6 | 16 | 10 | 6 | 5 |
| CX3-56020 | M6 | 20 | 10 | 6 | 5 |
| CX3-56025 | M6 | 25 | 10 | 6 | 5 |
| CX3-56030 | M6 | 30 | 10 | 6 | 5 |
| CX3-56035 | M6 | 35 | 10 | 6 | 5 |
| CX3-56040 | M6 | 40 | 10 | 6 | 5 |
| CX3-56045 | M6 | 45 | 10 | 6 | 5 |
| CX3-56050 | M6 | 50 | 10 | 6 | 5 |
| CX3-56055 | M6 | 55 | 10 | 6 | 5 |
| CX3-56060 | M6 | 60 | 10 | 6 | 5 |
| CX3-56065 | M6 | 65 | 10 | 6 | 5 |
| <hr/> | | | | | |
| CX3-58016 | M8 | 16 | 13 | 8 | 6 |
| CX3-58020 | M8 | 20 | 13 | 8 | 6 |
| CX3-58025 | M8 | 25 | 13 | 8 | 6 |
| CX3-58030 | M8 | 30 | 13 | 8 | 6 |
| CX3-58035 | M8 | 35 | 13 | 8 | 6 |
| CX3-58040 | M8 | 40 | 13 | 8 | 6 |
| CX3-58045 | M8 | 45 | 13 | 8 | 6 |
| CX3-58050 | M8 | 50 | 13 | 8 | 6 |
| CX3-58055 | M8 | 55 | 13 | 8 | 6 |
| CX3-58060 | M8 | 60 | 13 | 8 | 6 |
| CX3-58065 | M8 | 65 | 13 | 8 | 6 |

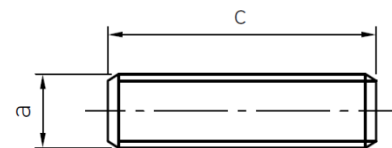
Material 1.4401 | Material AISI 316



GEWINDESTIFT MIT INNENSECHSKANT ISO 4026 THREADED ROD WITH INTERNAL HEXAGON ISO 4026

| Artikelnummer <i>part number</i> | a | c | SW |
|-------------------------------------|----|----|----|
| CX3-66025 | M6 | 25 | 3 |
| CX3-66030 | M6 | 30 | 3 |
| CX3-66035 | M6 | 35 | 3 |
| CX3-66040 | M6 | 40 | 3 |
| CX3-66045 | M6 | 45 | 3 |
| CX3-66050 | M6 | 50 | 3 |
| CX3-66055 | M6 | 55 | 3 |
| CX3-66060 | M6 | 60 | 3 |
| CX3-66065 | M6 | 65 | 3 |
| CX3-66070 | M6 | 70 | 3 |
| CX3-68035 | M8 | 35 | 4 |
| CX3-68040 | M8 | 40 | 4 |
| CX3-68045 | M8 | 45 | 4 |
| CX3-68050 | M8 | 50 | 4 |
| CX3-68055 | M8 | 55 | 4 |
| CX3-68060 | M8 | 60 | 4 |
| CX3-68065 | M8 | 65 | 4 |
| CX3-68070 | M8 | 70 | 4 |
| CX3-68075 | M8 | 75 | 4 |
| CX3-68080 | M8 | 80 | 4 |

Material 1.4401 | *Material AISI 316*

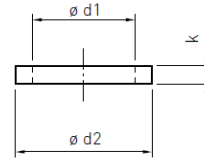


U-SCHEIBE DIN EN ISO 7092

WASHER DIN EN ISO 7092

| Artikelnummer part number | Ød1 | Ød2 | k |
|------------------------------|-----|-----|-----|
| CX3-71006 | 6,4 | 11 | 1,8 |

Material 1.4401 | Material AISI 316

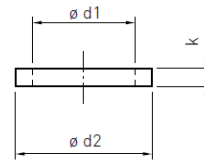


U-SCHEIBE DIN 125-1 Form B

WASHER DIN 125-1 FORM B

| Artikelnummer part number | Ød1 | Ød2 | k |
|------------------------------|-----|-----|-----|
| CX3-71008 | 8,4 | 16 | 1,6 |

Material 1.4401 | Material AISI 316

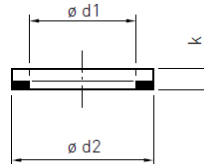


U-SCHEIBE MIT DICHTUNG

WASHER WITH SEALING

| Artikelnummer part number | Ød1 | Ød2 | k |
|------------------------------|-----|-----|-----|
| CX3-71108 | 8,5 | 25 | 2,5 |

Material 1.4301 & EPDM | Material AISI 304 & EPDM

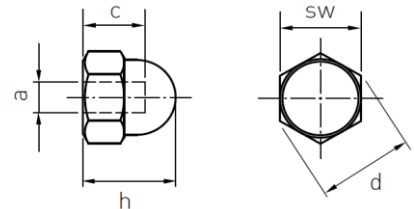


HUTMUTTER HOHE FORM DIN 1587

DOME NUT HIGH FORM DIN 1587

| Artikelnummer part number | a | c | d | h | SW |
|------------------------------|----|----|------|----|----|
| CX3-72008 | M8 | 11 | 14,4 | 15 | 13 |

Material 1.4401 | Material AISI 316

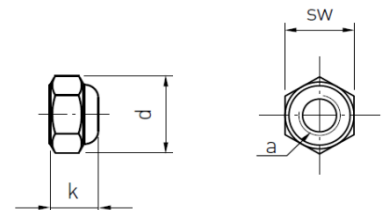


SECHSKANTMUTTER SELBSTSICHERND DIN 982 ISO 7040

HEXAGON NUT SELF-LOCKING DIN 982 ISO 7040

| Artikelnummer part number | a | d | k | SW |
|------------------------------|----|------|---|----|
| CX3-73008 | M8 | 14,4 | 8 | 13 |

Material 1.4401 | Material AISI 316

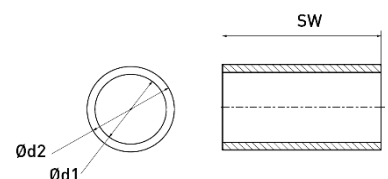
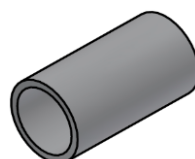


DISTANZHÜLSEN

SPACING SLEEVES

| Artikelnummer part number | c | Ød1 | Ød2 |
|------------------------------|-----|-----|-----|
| CX3-78002 | 2,2 | 9 | 11 |
| CX3-78020 | 20 | 9 | 11 |

Material 1.4571 | Material AISI 316Ti

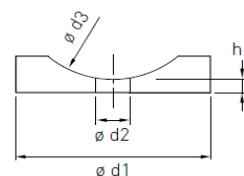
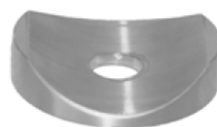


FORMANSCHLÜSSE

ANGLE STAND OFF WASHERS

| Artikelnummer part number | Ød1 | Ød2 | Ød3 | h1 |
|------------------------------|-----|-----|------|-----|
| CX3-00006-337 | 12 | 6,2 | 33,7 | 1,6 |
| CX3-00006-424 | 12 | 6,2 | 42,4 | 1,6 |
| CX3-00008-269 | 15 | 8,2 | 26,9 | 2,1 |
| CX3-00008-337 | 15 | 8,2 | 33,7 | 2,1 |
| CX3-00008-424 | 15 | 8,2 | 42,4 | 2,1 |

Material 1.4401 | Material AISI 316

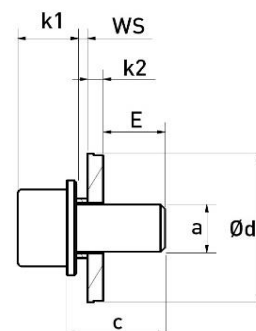


SYSTEMANBINDUNG FENSTERSICHERUNG XT3 SYSTEM 1 - SCHLÜSSELLOCH LOSLAGER

SYSTEMCONNECTION WINDOW SAFETY XT3 SYSTEM 1 - KEY HOLE FLOATING BEARING

| Artikelnummer part number | a | c | Ød | E | k1 | k2 | WS |
|------------------------------|----|----|----|----|----|-----|-----------|
| CX3-FS11-16 | M8 | 16 | 25 | 10 | 10 | 2,5 | 1,5 / 2,0 |
| CX3-FS11-20 | M8 | 20 | 25 | 14 | 10 | 2,5 | 1,5 / 2,0 |
| CX3-FS11-25 | M8 | 25 | 25 | 19 | 10 | 2,5 | 1,5 / 2,0 |

Material 1.4401 & 1.4571 & EPDM | Material AISI 316 & AISI 316Ti & EPDM
Set bestehend aus Zylinderkopfschraube, Distanzhülse, U-Scheibe und U-Scheibe mit Dichtung
Set consisting of socket head screw, spacing sleeve, washer and sealing washer

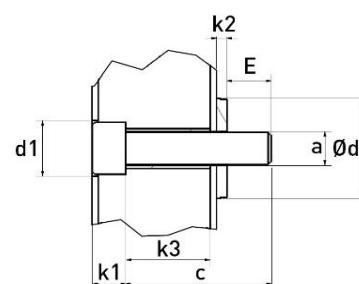


SYSTEMANBINDUNG FENSTERSICHERUNG XT3 SYSTEM 1 - SCHLÜSSELLOCH FESTLAGER

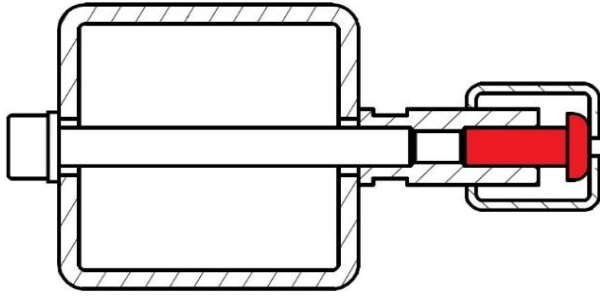
SYSTEMCONNECTION WINDOW SAFETY XT3 SYSTEM 1 - KEY HOLE FIXED BEARING

| Artikelnummer part number | a | c | Ød | Ød1 | E | k1 | k2 | k3 |
|------------------------------|----|----|----|-----|----|----|-----|----|
| CX3-FS12-35 | M8 | 35 | 25 | 15 | 10 | 8 | 2,5 | 20 |
| CX3-FS12-40 | M8 | 40 | 25 | 15 | 15 | 8 | 2,5 | 20 |
| CX3-FS12-45 | M8 | 45 | 25 | 15 | 20 | 8 | 2,5 | 20 |

Material 1.4401 & EPDM | Material AISI 316 & EPDM
Set bestehend aus Zylinderkopfschraube, Distanzhülse und U-Scheibe mit Dichtung
Set consisting of socket head screw, spacing sleeve and sealing washer



MONTAGEVARIANTE DRÜCKENDE MONTAGE
 ASSEMBLY OPTION PUSHING ASSEMBLY



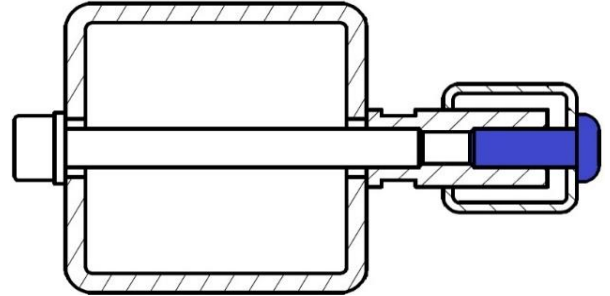
Funktionsweise / Eigenschaften
functionality / properties

Der Rahmen wird zwischen zwei Profilen eingespannt
/the frame is clamped between two profiles

Die gegenüberliegende Seite nimmt die Druckkräfte auf
/the opposite side absorbs the compressive forces

Nicht geeignet für Schrägrahmen
/not suitable for angled frames

MONTAGEVARIANTE ZIEHENDE MONTAGE
 ASSEMBLY OPTION PULLING ASSEMBLY

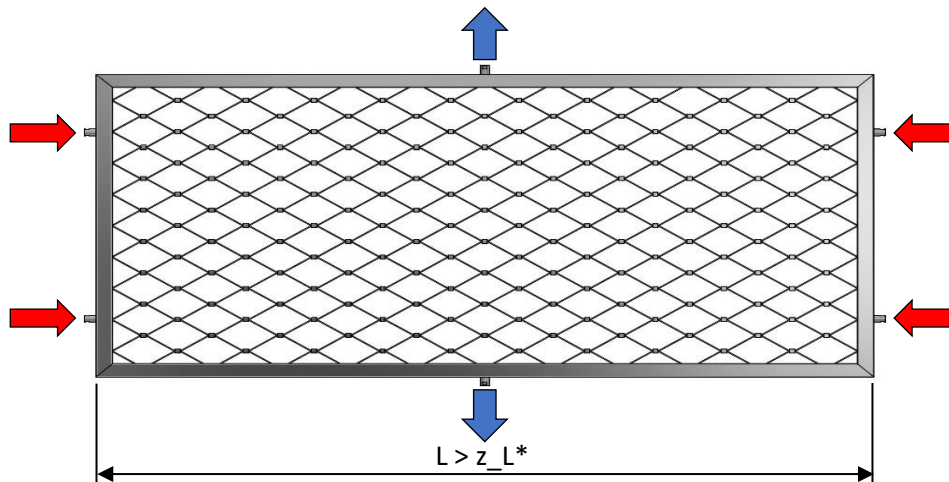
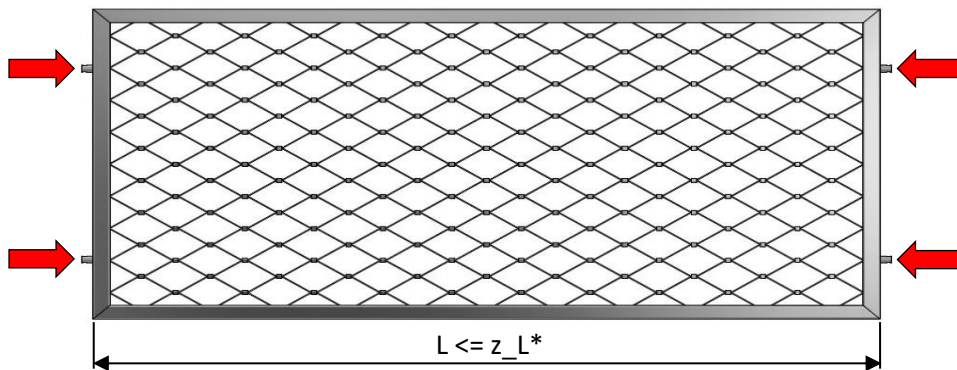


Funktionsweise / Eigenschaften
functionality / properties

Der Rahmen wird durch die Schraube nach außen gezogen
/the frame is pulled outwards by the screw

Die gegenüberliegende Seite nimmt die Zugkräfte auf
/the opposite side absorbs the tensile forces

Als Ersatz für einen dauerhaften Zwischenstab möglich
/as a substitute for a permanent intermediate rod



* z_L nach Datenblatt / z_L according to datasheet



Technische Änderungen und Fehlerkorrektur vorbehalten | *subject to technical changes and correction of errors*

© Carl Stahl ARC GmbH