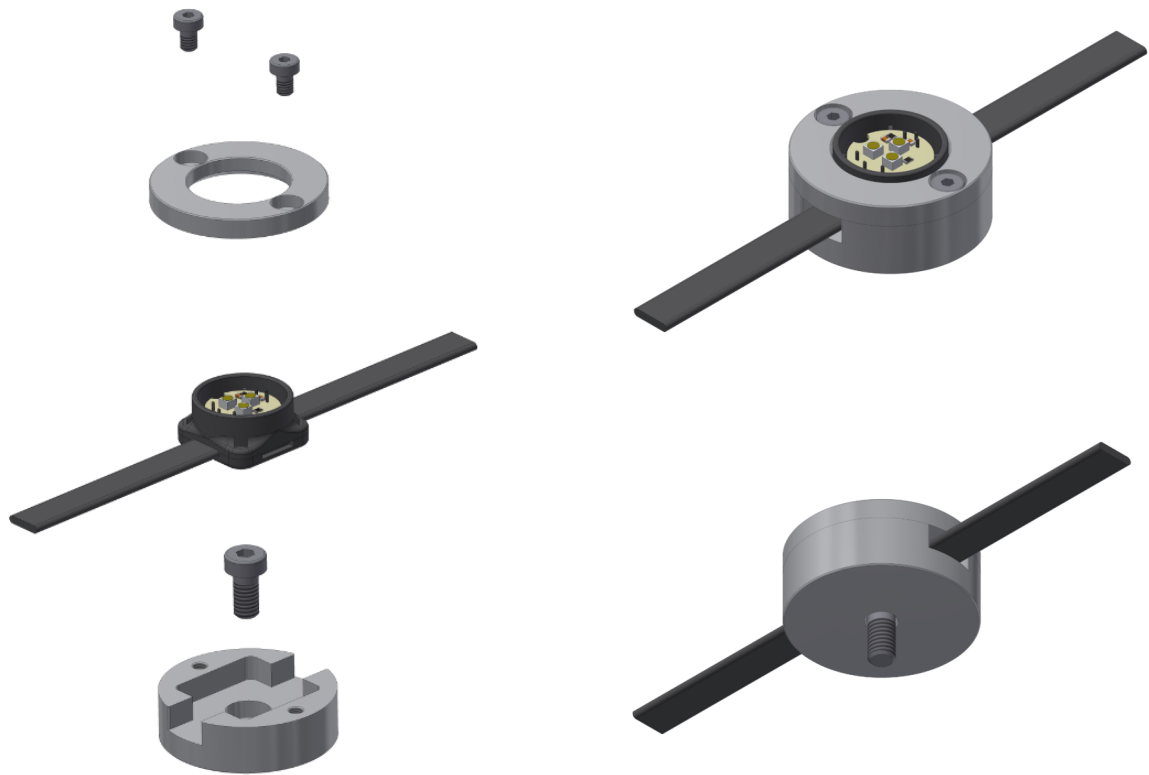
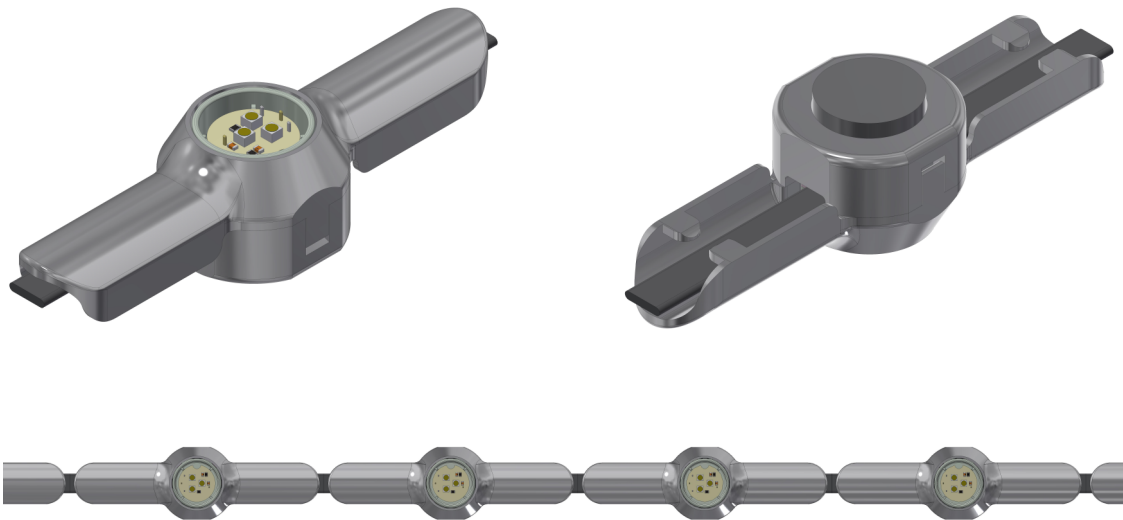


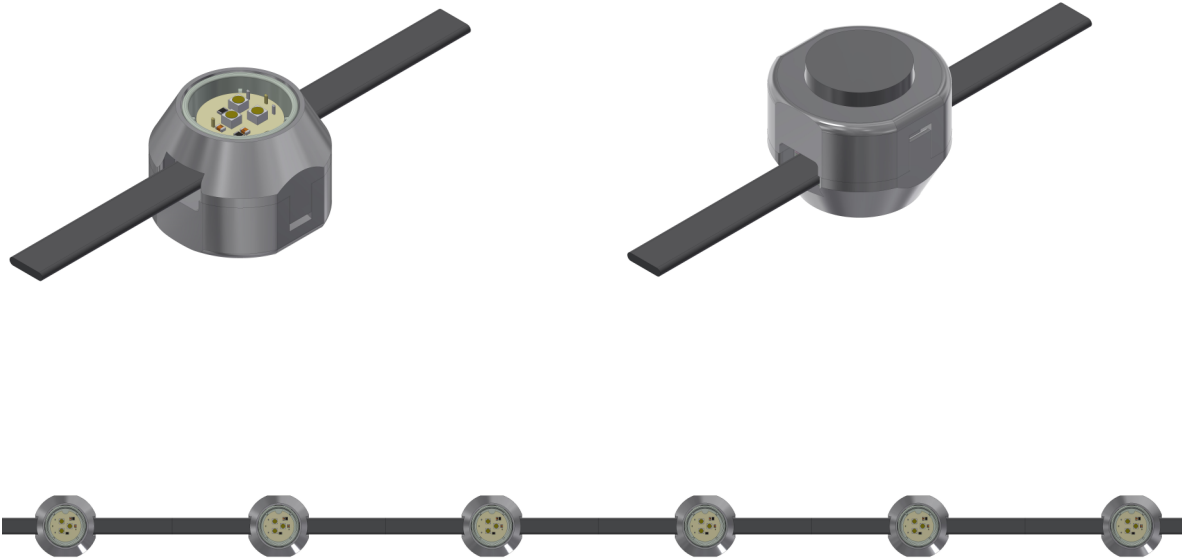
SUBSTRUCTURE CONCEPTS
X-LED LINE



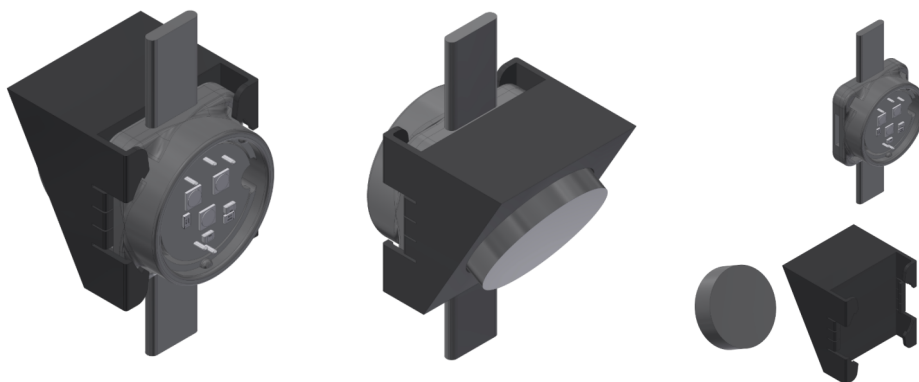
LED-Dot on aluminum clamp fixed by screw M6 to a primary structure



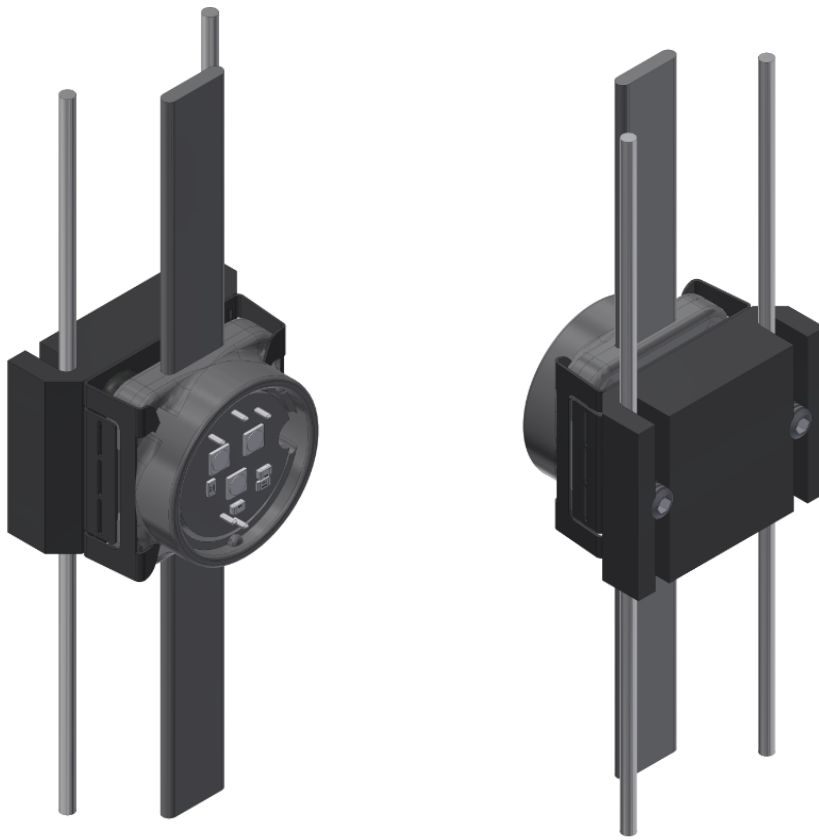
LED-Dot with polyamid clamp with integrated conduit fixed by coated magnet on existing steel structure



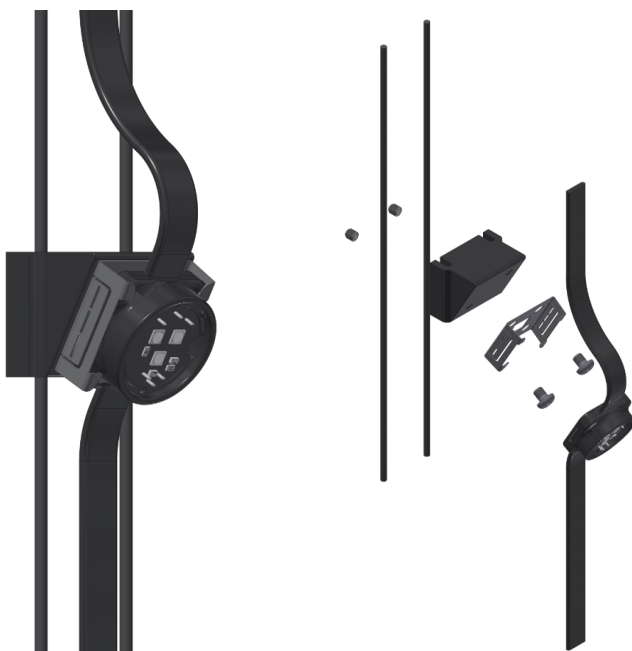
LED-Dot with polyamid clamp fixed by coated magnet on existing steel structure



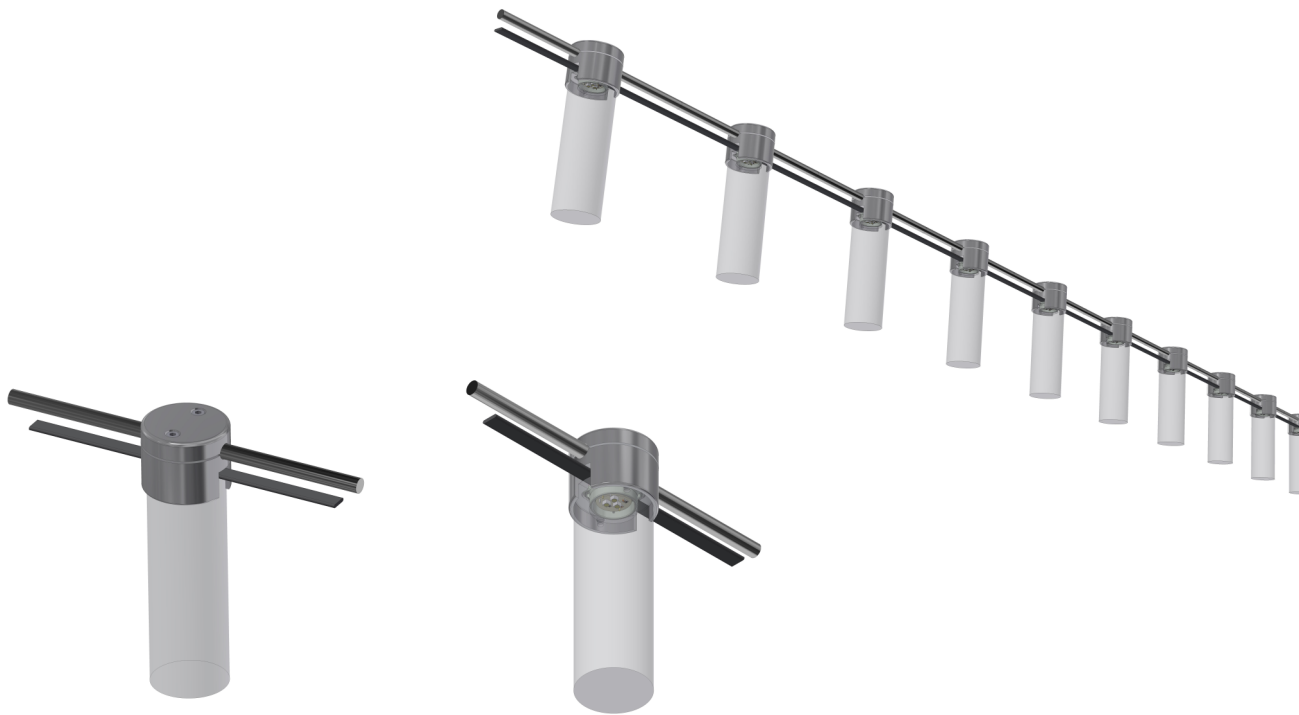
LED-Dot on angled polyamid clamp fixed by coated magnet on existing steel structure



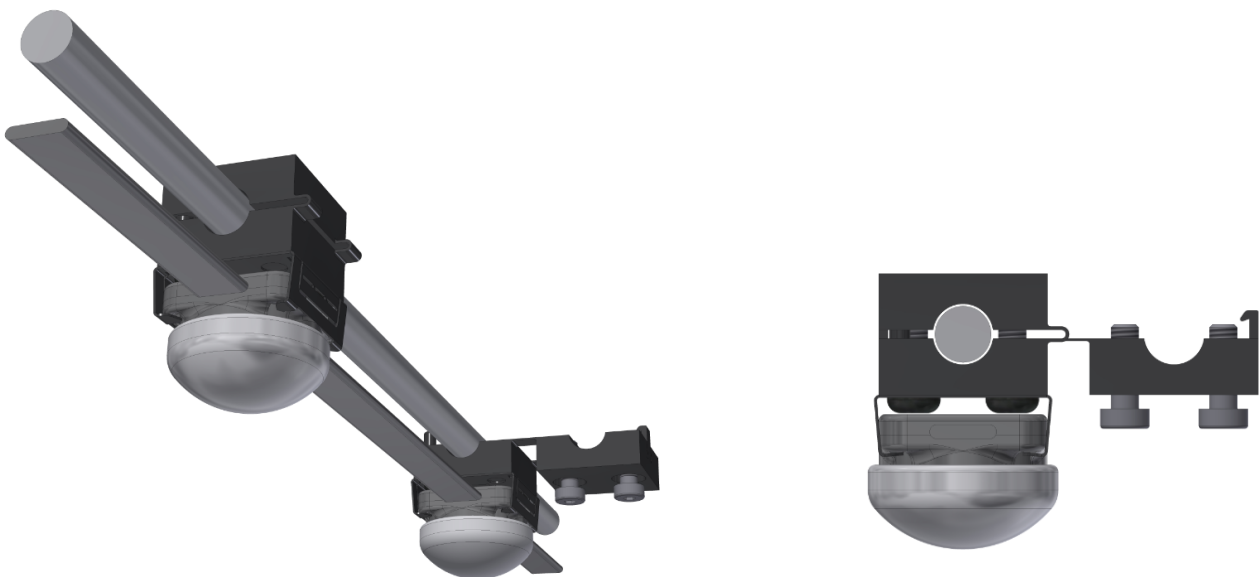
LED-Dot on stainless clip with stainless steel bracket fixed on twin ropes Ø 2,0mm



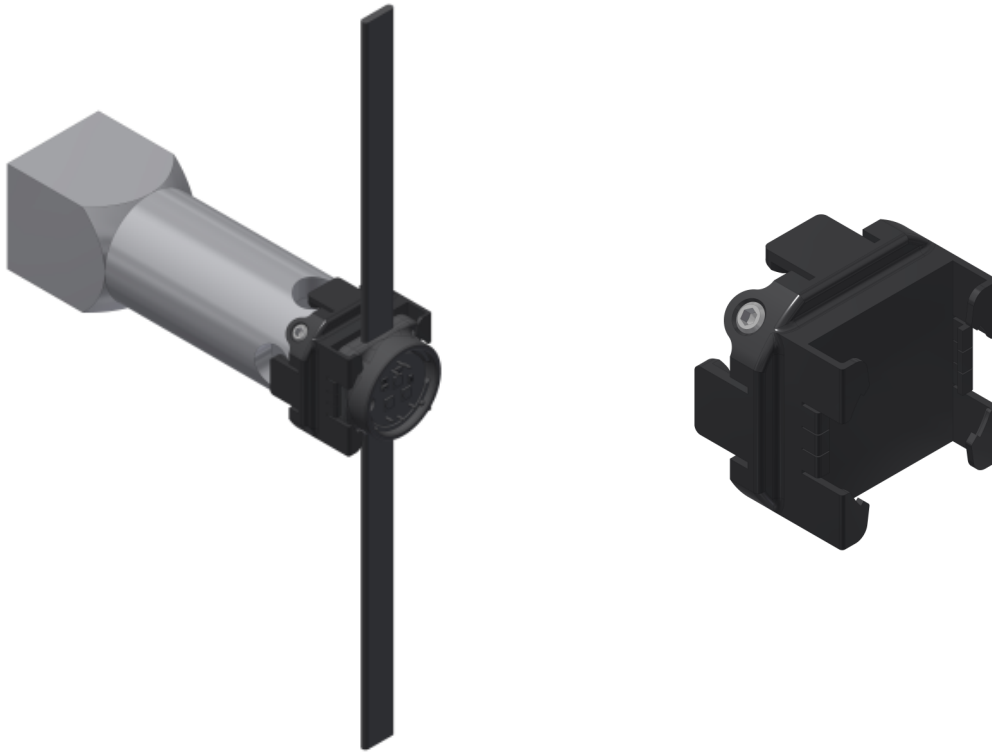
LED-Dot on stainless clip with angled polyamid plate fixed on twin ropes Ø 2,0mm



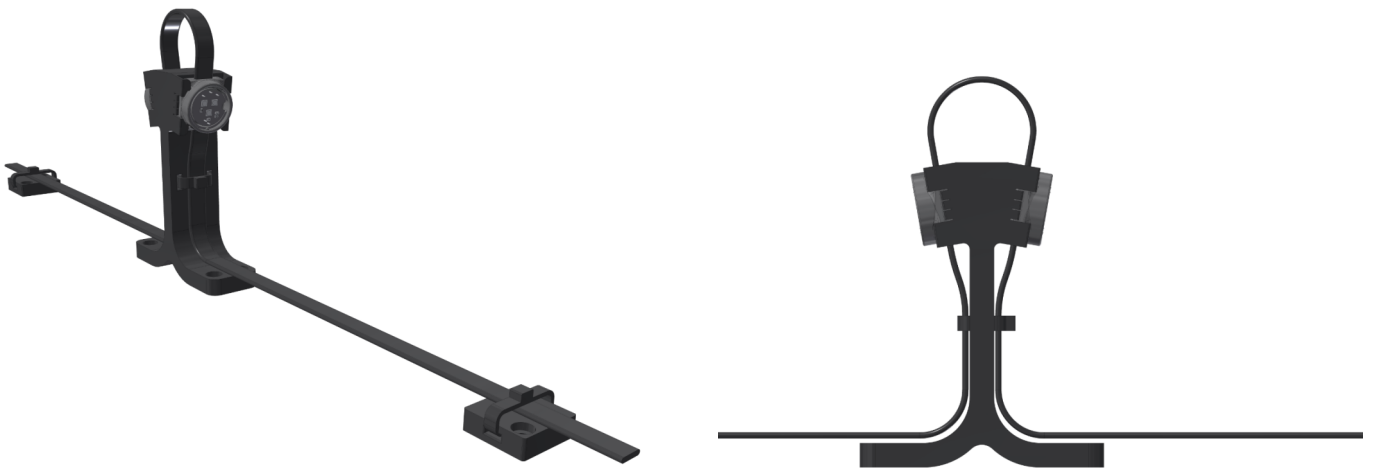
LED-Dot fixed by polyamide clamp with acylic rod Ø 40mm on single rope Ø 8,0mm



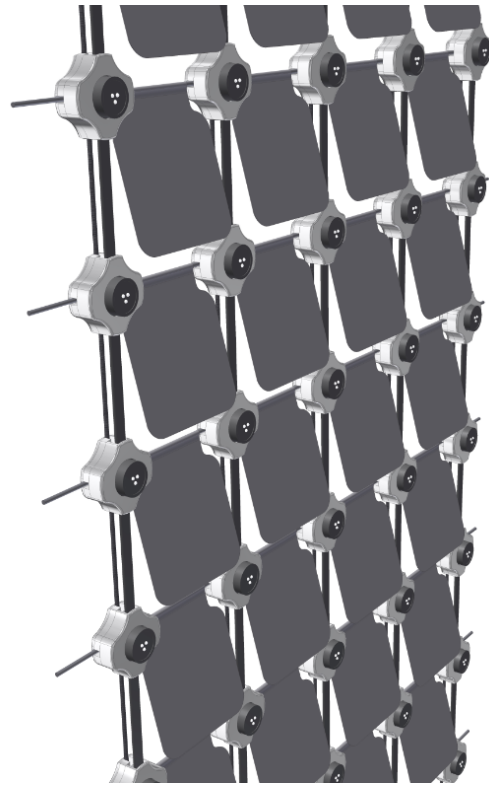
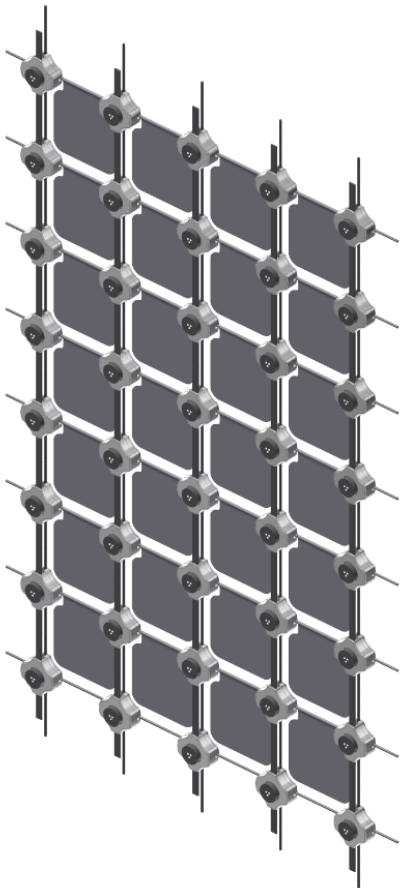
LED-Dot on stainless clip with polyamid bracket fixed on a single rope Ø 8,0mm



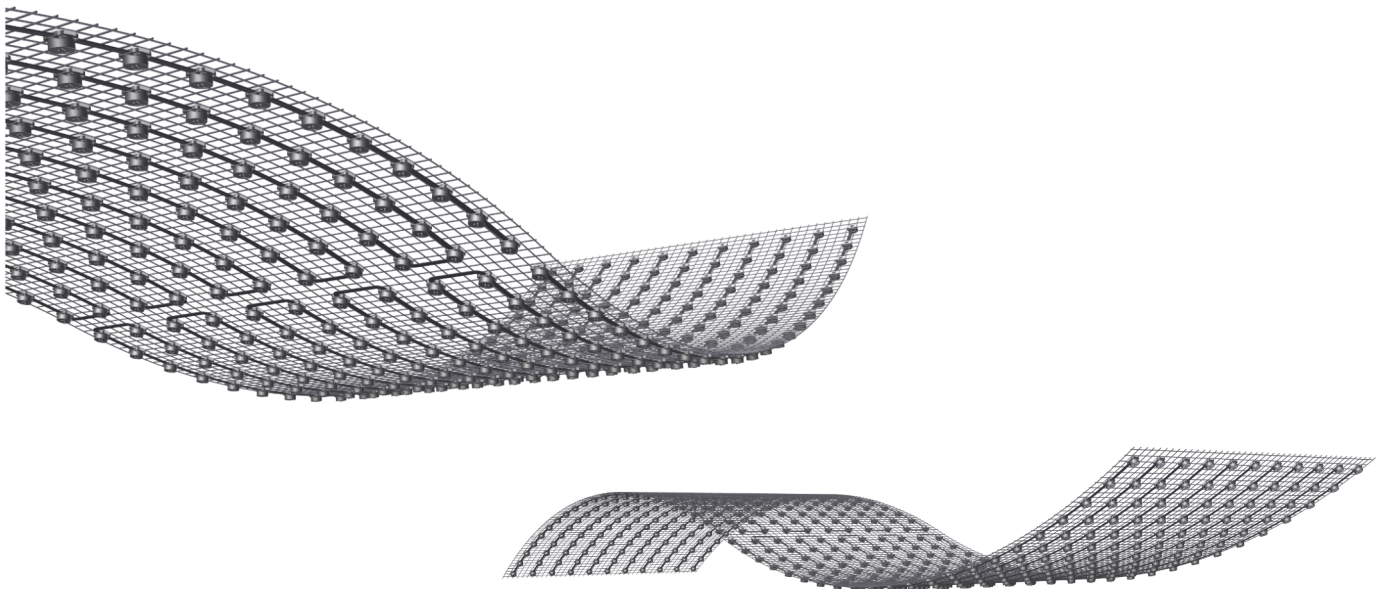
LED-Dot on polyamid clip fixed on aluminum stand-off



LED-Dots on polyamid stand-off



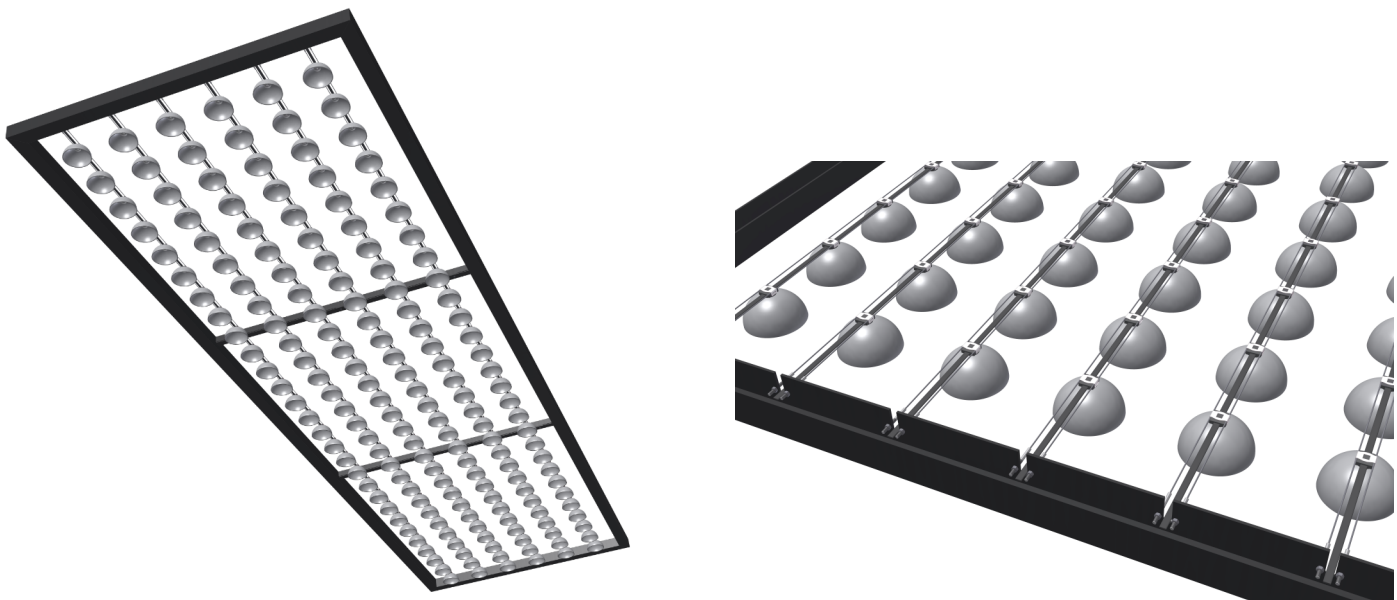
LED-Dots on stainless cross clamps with movable plates fixed on rope grid



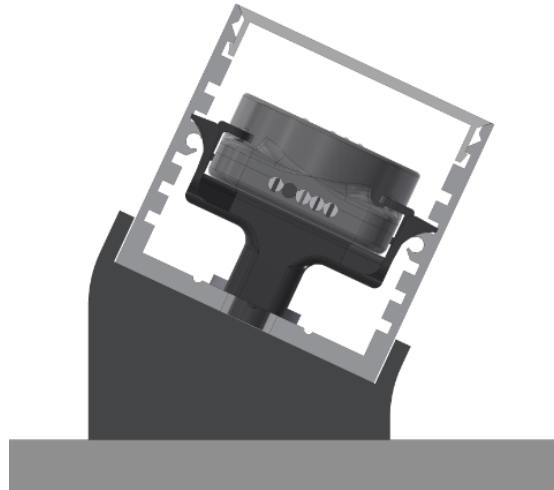
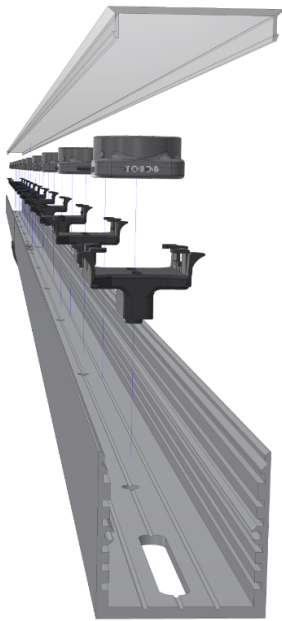
LED-Dots on curved stainless steel rod grid structure



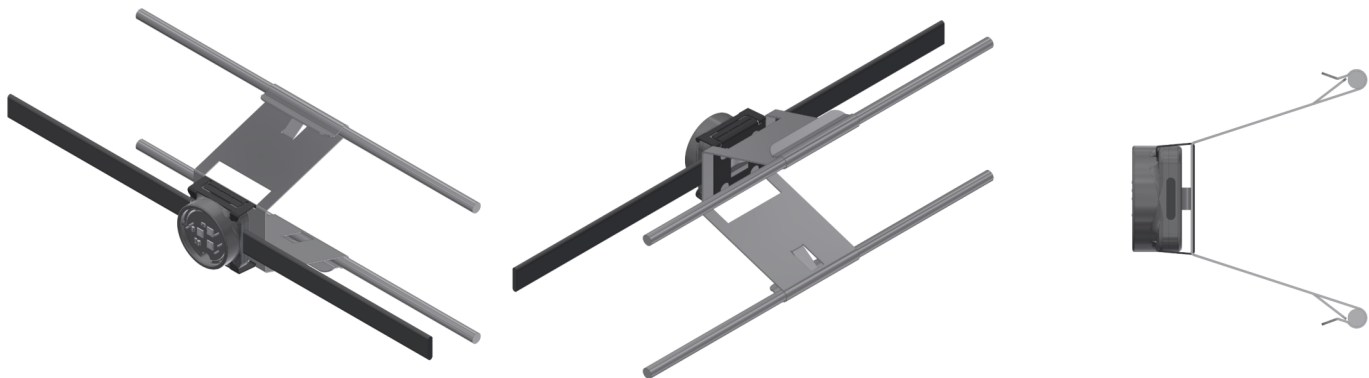
LED-Dot on stainless clip with stainless steel bracket fixed on twin ropes Ø 2,0mm and pipe clamp



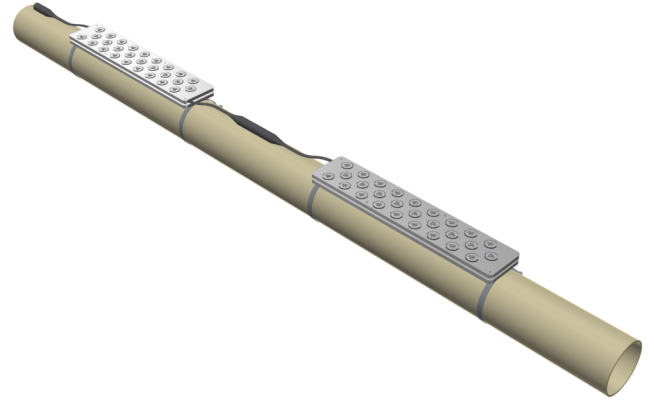
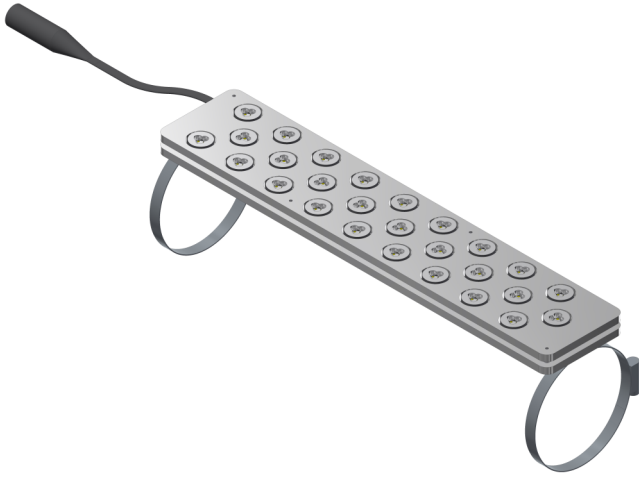
LED-Dot on stainless clip with stainless steel bracket fixed on twin ropes Ø 2,0mm



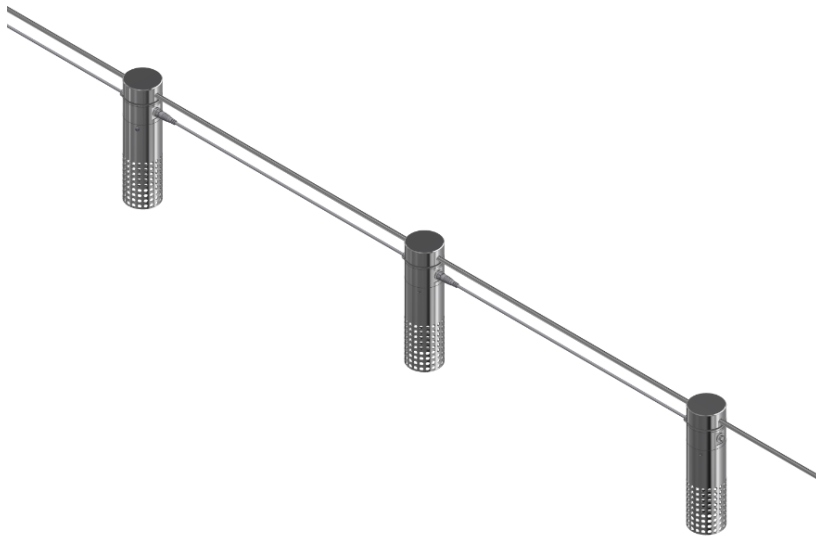
LED-Dots in aluminum profile with diffusor



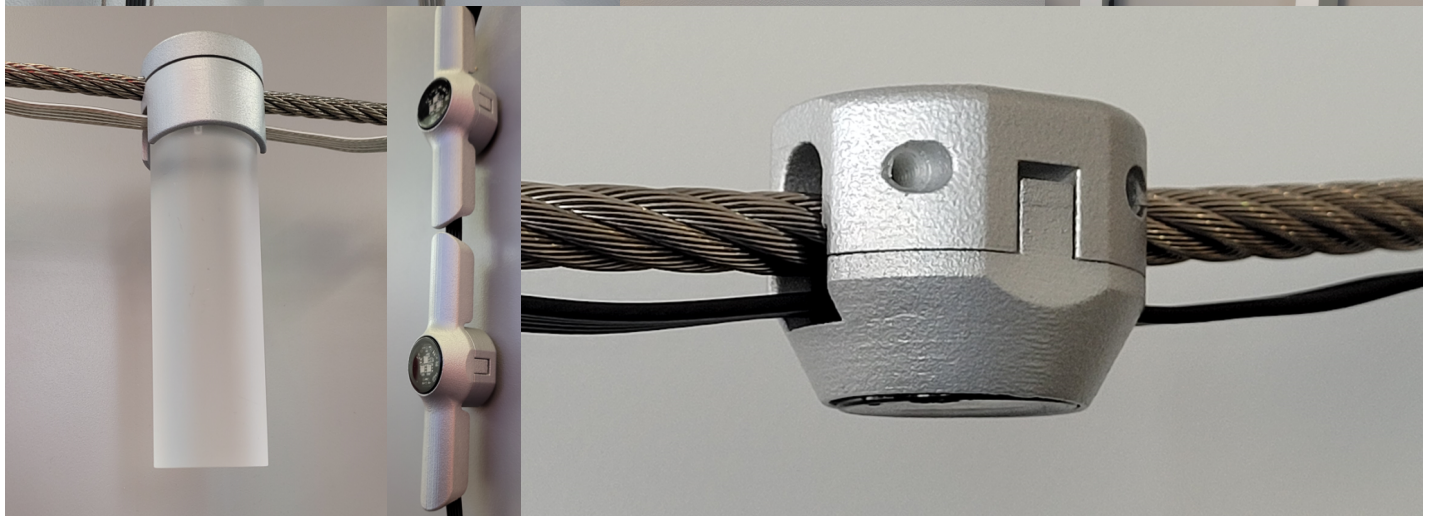
LED-Dots on stainless steel clips fixed on horizontal rods

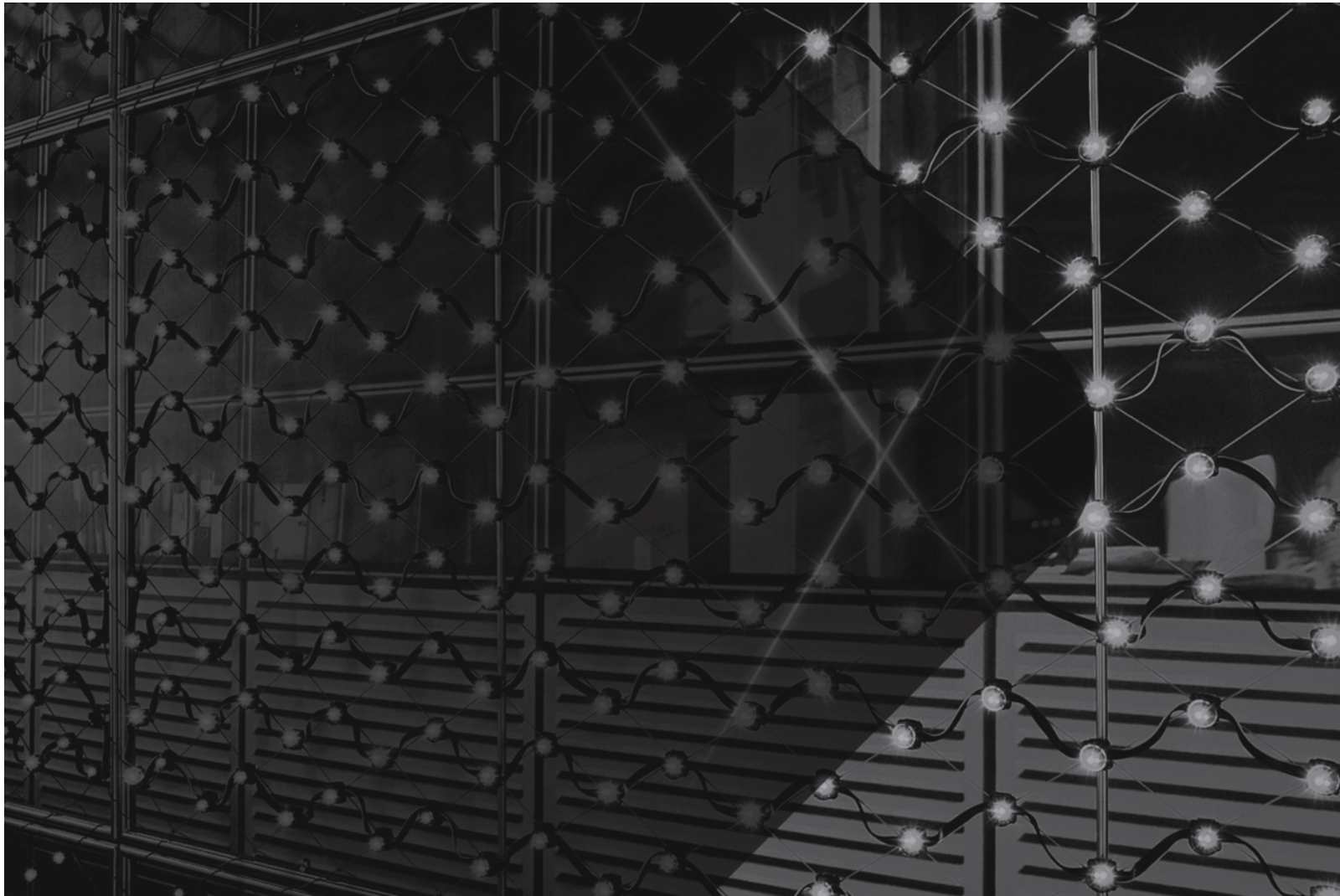


LED-Dots on stainless steel bracket



LED-Dots in stainless steel pendant fixed on a rope Ø 8,0mm





CARL STAHL ARC GMBH
Siemensstraße 2
D-73079 Süssen

Fon +49 (0) 7162 / 948 150 300
Fax +49 (0) 7162 / 948 150 305

x-led@carlstahl-arc.de
www.x-led.de